

***Nissan  
Motorsports  
Schematic  
Catalog***



The Motorsports Parts Catalog features component breakdowns for many of the parts which are listed in the Motorsports Parts Catalogs. This book is a parts reference guide only and is not intended to be a service manual. Refer to the appropriate Nissan service manual (see below) for the necessary specifications to properly service any given part. The following books may also be of assistance in your racing efforts:

- 99996-M8012 HOW TO MODIFY YOUR NISSAN/DATSUN OHC ENGINE  
L-series engine mods for road racing, drag racing, off-road racing & improved street performance. Details complete mods to engine internals, carburetion & exhaust, plus parts interchange.
- 99996-M8013 HOW TO REBUILD YOUR NISSAN/DATSUN OHC ENGINE  
Troubleshooting & in-car repair. How to remove engine, tear down & inspect, recondition, assemble & install. Parts identification & interchange. Covers all 4 & 6 cylinder L-series engines for Nissan/Datsun cars & light trucks.
- 99996-M8014 MIKUNI PHH CARBURETOR SERVICE MANUAL  
Excellent manual for servicing and troubleshooting the Mikuni (Solex) sidedraft (PHH) carburetor. Includes sections on selection, construction, overhaul, maintenance, inspection, tune-up & adjustment.

---

All P/N's listed are stocked only by the Motorsports Department unless indicated with an asterisk (\*). P/N's listed with an asterisk (\*) are stock (OE) components available to the Nissan dealer through the regional parts depots.

All parts listed must be ordered from your local Nissan dealer. For further information concerning application or availability of parts listed in the Motorsports catalog, write or call:

Nissan Motorsports  
PO Box 191  
Gardena, California 90248-0191

(213) 538-2610 or (213) 719-5041

FAX # (213) 538-1462

---

It is highly recommended that a genuine Nissan factory service manual be obtained prior to any work being performed on your Nissan vehicle. These manuals can be purchased directly from:

Dyment Distribution Service  
20026 Progress Drive  
Strongsville, Ohio 44136

(800) 247-5321

---

**Motorsports parts are sold "as is" without any warranty whatsoever. Implied warranties, including warranties of merchantability or fitness for a particular purpose, are excluded. The entire risk of quality and performance of such parts is with the buyer. Should such parts prove defective following their purchase, the buyer and not the manufacturer, distributor or retailer, assumes the entire cost of all necessary services or repair.**

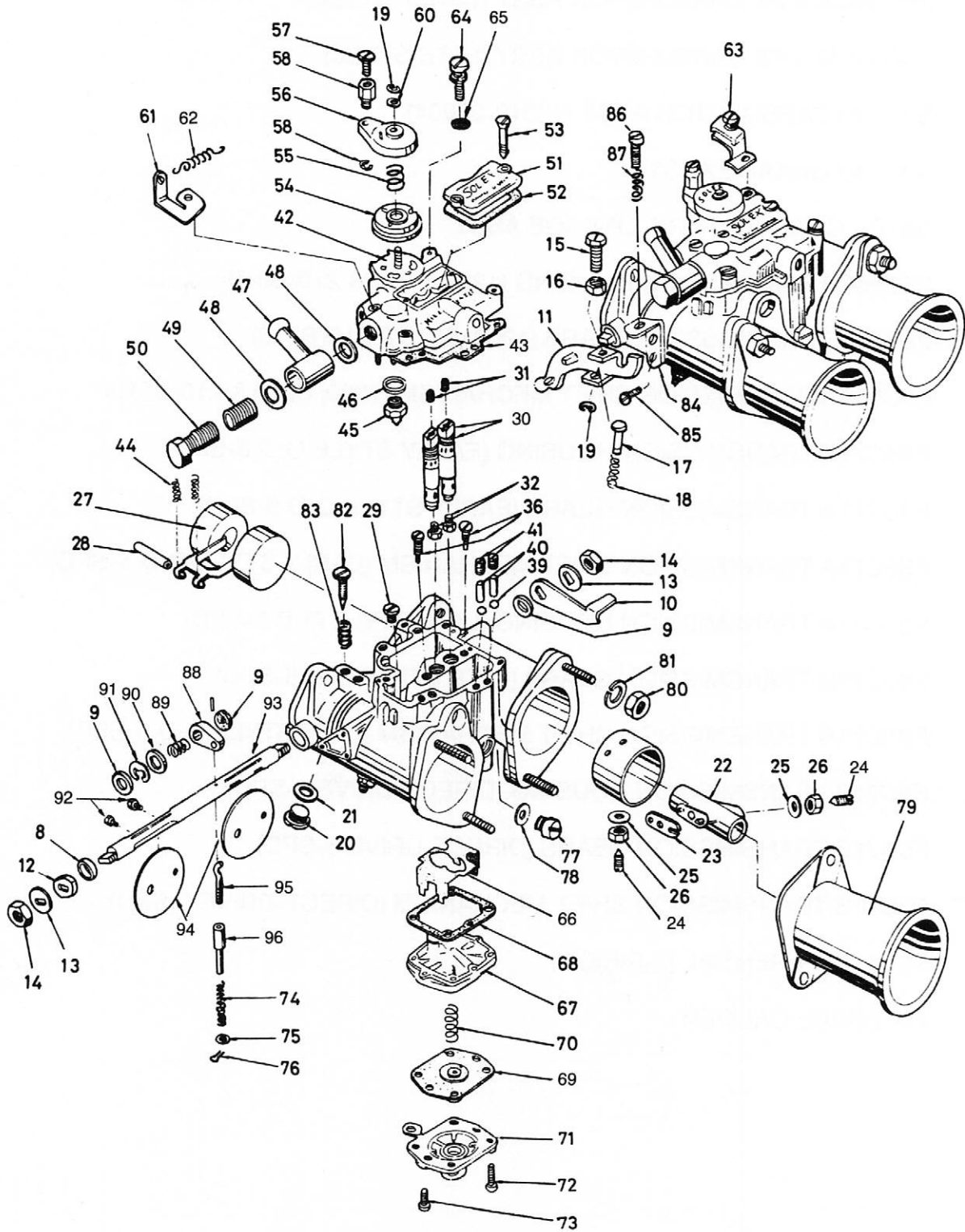
**The Nissan vehicle and parts warranties are voided if the vehicle or part is used for competition or if they fail as a result of modification. It is the competitor's responsibility to inspect and verify the dimensions of all parts prior to installation.**

**Inventory of certain items listed in the Nissan Motorsports Parts Catalog is limited and may not be available for immediate delivery.**

**TABLE OF CONTENTS**

<b>PAGE</b>	<b>DESCRIPTION</b>
3	MIKUNI/SOLEX CARBURETOR ASSY (EARLY STYLE)
5	MIKUNI/SOLEX CARBURETOR ASSY (LATE STYLE)
7	SSS/SU CARBURETOR ASSY (16010-22004)
9	SSS/SU LINKAGE ASSY
11	GX/SU CARBURETOR & LINKAGE ASSY
13	F5C56A TRANSMISSION HOUSING (1200, B210 & 210/B310)
15	F5C56A TRANSMISSION GEARS (1200, B210 & 210/B310)
17	F5C56A TRANSMISSION SHIFT MECHANISM (1200, B210 & 210/B310)
19	FS5C71A TRANSMISSION HOUSING (EARLY STYLE O/D 5-SPD)
21	FS5C71A TRANSMISSION GEARS (EARLY STYLE O/D 5-SPD)
23	FS5C71A TRANSMISSION SHIFT MECHANISM (EARLY STYLE O/D 5-SPD)
25	FS5C71B TRANSMISSION HOUSING (LATE STYLE O/D 5-SPD)
27	FS5C71B TRANSMISSION GEARS (LATE STYLE O/D 5-SPD)
29	FS5C71B TRANSMISSION SHIFT MECHANISM (LATE STYLE O/D 5-SPD)
31	F5C71B TRANSMISSION HOUSING (DIRECT-DRIVE 5-SPD)
33	F5C71B TRANSMISSION GEARS (DIRECT-DRIVE 5-SPD)
35	F5C71B TRANSMISSION SHIFT MECHANISM (DIRECT-DRIVE 5-SPD)
37	R190 DIFFERENTIAL (2-PINION)
39	FIA BRAKE CALIPER

# MIKUNI/SOLEX CARBURETOR ASSY (EARLY STYLE)



# MIKUNI/SOLEX CARBURETOR ASSY (EARLY STYLE)

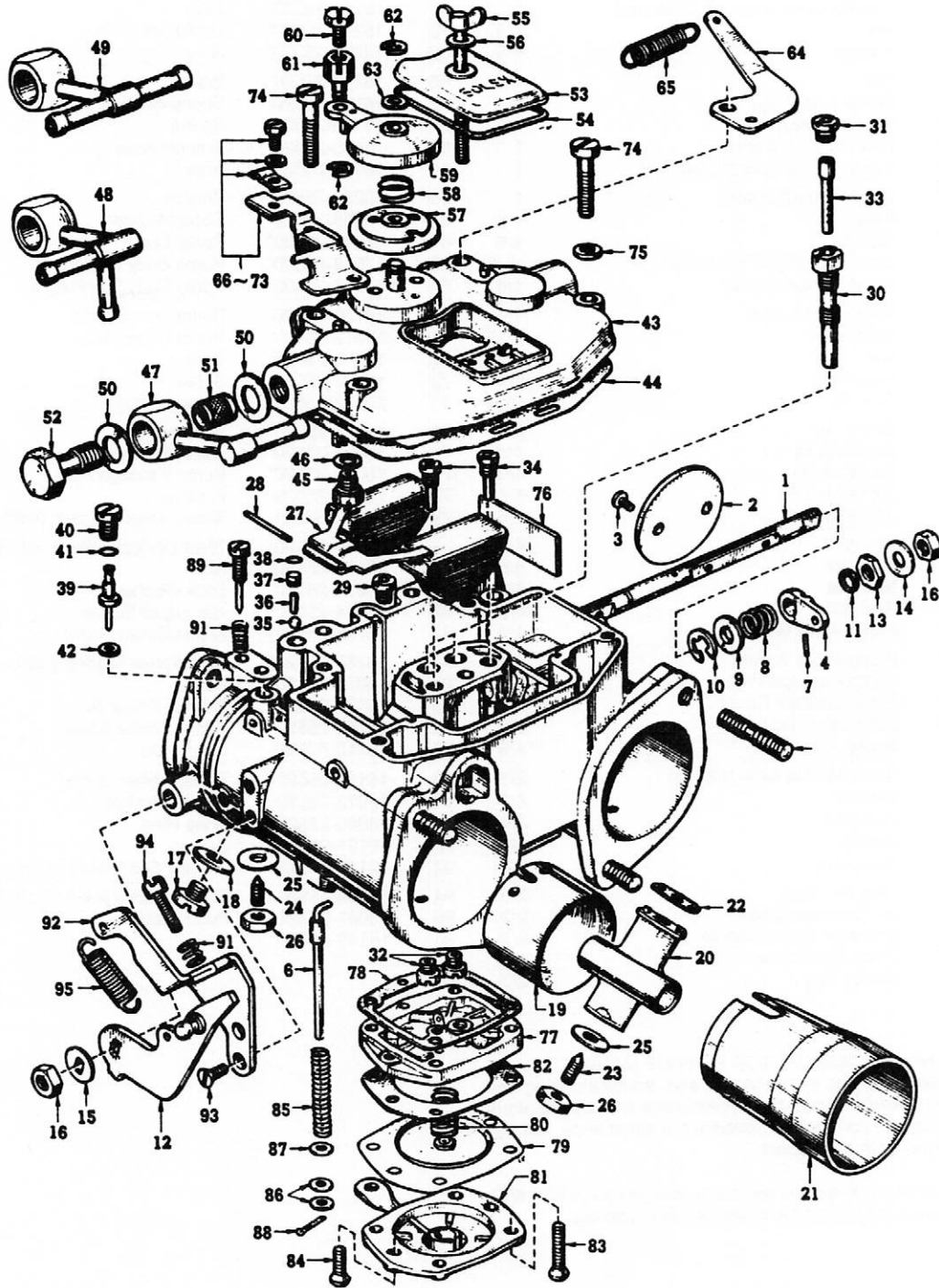
(44MM & 50MM W/TWO SCREWS RETAINING JET COVER)

ITEM	PART NUMBER	PART NAME	QTY	ITEM	PART NUMBER	PART NAME	QTY
9	16263-25520	Seal	8/12	55	17639-25520	Starter Spring	2/3
10	16133-25520*	Connecting Lever / F (U20 only)	1	56	17640-25520*	Starter Cover	2/3
11	16134-25520*	Throttle Lever Assy / R (U20 only)	1	57	16241-25520	Bolt	NLA
12	16169-25520*	Nut	2/3	58	16221-25520*	Cable Set Collar	2/3
13	16126-25520*	Washer	4/6	59	16292-25520*	Snap Ring	4/6
14	16124-25520*	Nut	4/6	60	16217-25520	Washer	2/3
15	16114-25520*	Screw (U20 only)	1	61	16162-25520*	Spring Bracket	1
16	16132-25520*	Nut (U20 only)	1	62	16160-25520*	Spring	1
17	16184-25520*	Push Rod (U20 only)	1	63	16165-25520*	Bracket Assy	1
18	16145-25520*	Adjust Screw Spring (U20 only)	1	64	16185-25520*	Screw	8/12
19	16292-25520*	Snap Ring (U20 only)	1	65	16220-25520	Washer	8/12
20	16031-25520	Plug	4/6	66	16069-25520*	Separate Plate	2/3
21	16094-25520*	Washer	4/6	67	17620-25520*	Pump Body	2/3
22	16013-25520	Inner Venturi (44PHH only)	NLA	68	17618-25520*	Pump Body Gasket	2/3
23	16130-25520	Small Venturi Gasket	4/6	69	17617-25520	Pump Body Diaphragm	2/3
24	16016-25521	Venturi Set Screw	4/6	70	16140-25520	Diaphragm Spring	2/3
25	16015-25520*	Washer	8/12	71	17619-25520	Pump Cover Assy	2/3
26	16018-25520	Nut	8/12	72	16223-25523	Screw	8/12
27	16061-25520	Float Assy	2/4	73	16223-25521	Screw	NLA
28	16066-25520	Float Pin	NLA	74	16157-25520*	Pump Spring	2/3
29	16059-25520*	Starter Jet	2/4	75	16215-25520*	Washer	2/3
30	16163-A0200	Jet Block (8)	4/6	76	16091-25520*	Cotter Pin	2/3
	16163-25520	Jet Block (A)	4/6	77	16030-25520*	Pump Passage Plug	2/3
	99996-S2000	Jet Block (OB)	4/6	78	16029-25520	Washer	2/3
	99996-S2001	Jet Block (OA)	4/5	79	99996-S3001	50mm Velocity Stack (44PHH only)	4/6
31	16036-*****	Air Jet	4/6		16244-25520	75mm Velocity Stack (44PHH only)	4/6
32	16033-*****	Main Jet	4/6	80	16131-25520	Nut	NLA
	16034-*****	Main Jet	4/6	81	16273-25520	Lock Washer	8/12
36	16189-*****	Pilot Jet	4/6	82	16214-25520*	Idle Adjust Screw	4/6
39	16219-25520	Pump Valve Ball	4/6	83	16145-25520*	Adjust Screw Spring	4/6
40	16285-25520*	Pump Valve Weight	4/6	84	16287-25520*	Stop Screw Bracket (U20 only)	1
41	16286-25520	Pump Passage Plug	NLA	85	16077-25520*	Screw	4/6
42	16125-25520*	Float Chamber Cover	2/3	86	16129-25520*	Throttle Adjust Screw	2/3
43	16064-25520*	Float Cover Gasket	2/3	87	16145-25520*	Adjust Screw Spring	6/9
44	16139-25520*	Spring	4/6	88	16142-A0200	Lever Rod	2/3
45	16101-25520	Needle Valve Assy (1.8mm)	2/3	89	16194-25520	Throttle Shaft Spring	NLA
46	16094-25520*	Washer	2/3	90	16072-25520	Thrust Washer	2/3
47	16111-25520*	Fuel Inlet	2/3	91	16086-25520	Snap Ring	2/3
48	16076-25520*	Washer	4/6	92	16121-25521	Screw	8/12
49	16098-25520*	Filter Assy	2/3	93	16122-25521	Throttle Shaft (44PHH only)	2/3
50	16108-25520*	Filter Set Bolt	2/3	94	16119-25520	Throttle Valve (44PHH only)	NLA
51	16113-25520*	Jet Chamber Cover	2/3	95	16081-25521	Pump Rod	NLA
52	16299-25520*	Chamber Cover Gasket	2/3	96	16143-A0200	Link	2/3
53	16164-25520	Cover Set Screw	4/6				
54	17638-25520	Starter Disc	2/3				

99996-M8014 MIKUNI PHH CARBURETOR SERVICE MANUAL  
Excellent manual for servicing and troubleshooting the Mikuni (Solex) sidedraft (PHH) carburetor. Includes sections on selection, construction, overhaul, maintenance, inspection, tune-up & adjustment.

\*\*\*\*\*A complete listing of all outer venturis and carburetor jets (keys #31, #32, & #36) can be found in the Nissan Motorsports Parts Catalog.

# MIKUNI/SOLEX 44MM PHH CARBURETOR (LATE STYLE)



# MIKUNI/SOLEX 44MM PHH CARBURETOR (LATE STYLE)

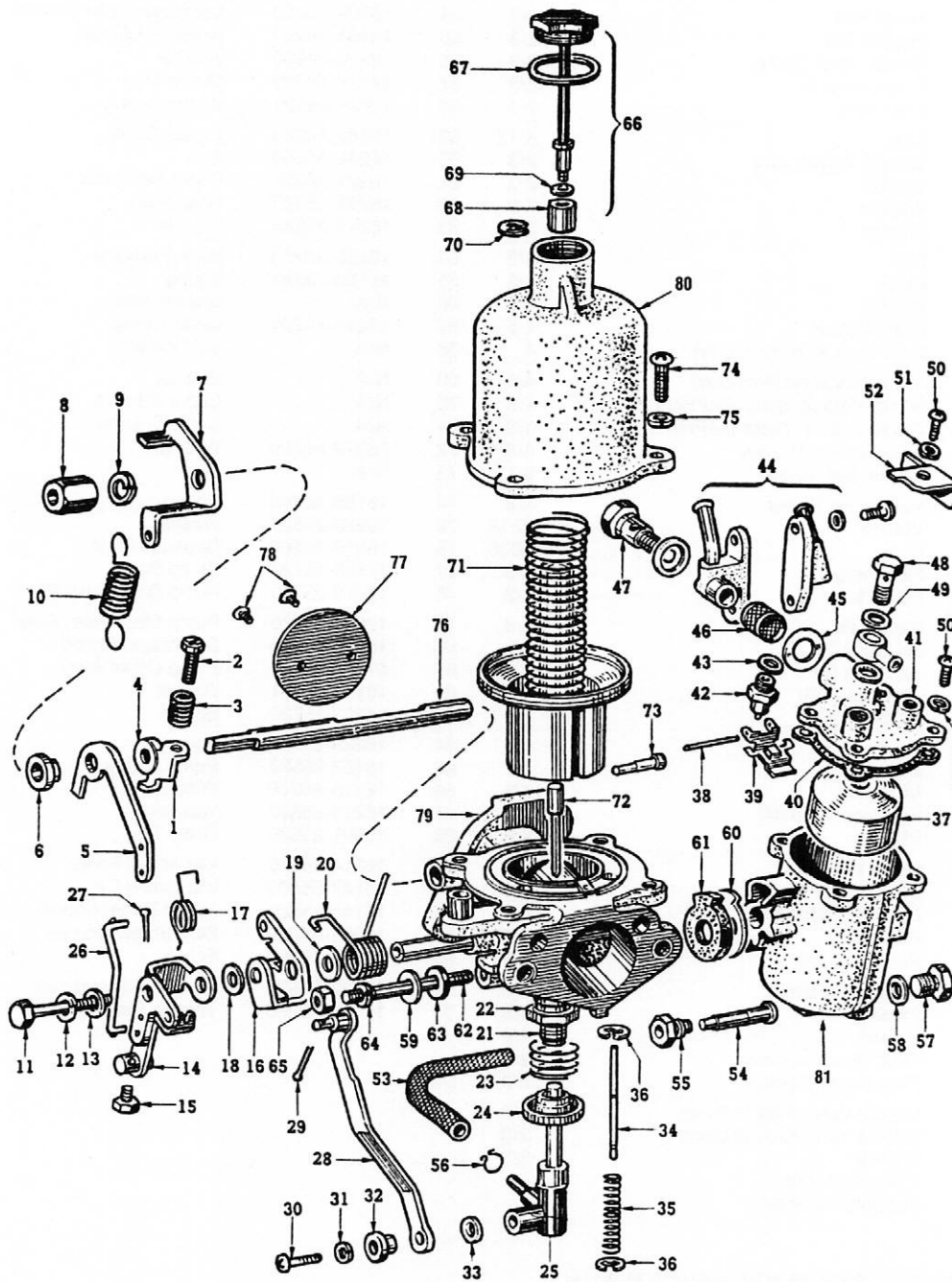
(40MM & 44MM W/SINGLE SCREW RETAINING JET COVER & NO EXTERNAL FLOAT ADJ)

ITEM	PART NUMBER	PART NAME	QTY	ITEM	PART NUMBER	PART NAME	QTY
1	16122-A0200	Throttle Shaft (40PHH only)	2	49	N/A	Fuel Inlet / Front	
2	16199-A0200	Throttle Valve (40PHH only)	4	50	16076-25520*	Washer	4/6
3	16121-25720	Screw	8/12	51	16098-25520*	Filter Assy	2/3
4	16142-A0200	Lever Rod	2/3	52	16108-25520*	Filter Set Bolt	2/3
5	16143-A0200	Link	2/3	53	16113-A0200	Jet Chamber Gasket	2/3
6	16081-25720	Pump Rod	2/3	54	16299-A0200	Chamber Cover Gasket	2/3
7	16224-25520	Stopper Pin	2/3	55	16164-A0200	Cover Set Screw	2/3
8	16194-14620	Throttle Shaft Spring	2/3	56	16220-A0200	Washer	2/3
9	16072-25520	Thrust Washer	2/3	57	17638-A0200	Starter Disc	2/3
10	16086-25520	Snap Ring	2/3	58	17639-25520	Starter Spring	2/3
11	16263-25520	Seal	8/12	59	17640-A0200	Starter Cover	2/3
12	16134-A0200	Throttle Valve Lever	2/3	60	16241-A0200	Bolt	2/3
13	16126-A0202	Washer	2/3	61	16221-A0200	Cable Set Collar	2/3
14	16126-A0200	Washer	2/3	62	16292-25520*	Snap Ring	4/6
15	16126-A0201	Washer	2/3	63	16217-25520	Washer	2/3
16	16124-25520*	Nut	4/6	64	16162-A0200	Spring Bracket	1
17	16031-25520	Plug	4/6	65	16160-25520*	Spring	1
18	16094-25520*	Washer	4/6	66	N/A	Bracket Assy	
19	*****	Outer Venturi	4/6	67	16046-A0200	Cable Clamp	1
20	16013-A0200	Inner Venturi (40PHH only)	4	68	N/A	Set Screw	
	16013-25520	Inner Venturi (44PHH only)	4/6	69	N/A	Washer	
21	99996-S3001	50mm Velocity Stack (44PHH only)	4/6	70	N/A	Cable Bracket	
	16244-25520	75mm Velocity Stack (44PHH only)	4/6	71	N/A	Cable Bracket	
22	16130-25520	Small Venturi Gasket	4/6	72	16029-A0200	Washer	8/12
23	16016-25520	Venturi Set Screw	8/12	73	N/A	Nut	
24	16016-14620	Venturi Set Screw	4/6	74	16185-A0200	Screw	8/12
25	16015-25520*	Washer	12/18	75	16220-25520	Washer	8/12
26	16018-25520	Nut	12/18	76	16069-A0200	Separate Plate	2/3
27	16061-A0200	Float Assy	2/3	77	17620-25720	Pump Body	2/3
28	16060-A0200	Float Pin	2/3	78	17618-25720	Pump Body Gasket	2/3
29	16059-A0201	Starter Jet	2/3	79	17617-25720	Pump Diaphragm Assy	2/3
30	16163-A0200	Jet Block (B)	4/6	80	16140-25520	Diaphragm Spring	2/3
	16163-25520	Jet Block (A)	4/6	81	17619-25520	Pump Cover Assy	2/3
	99996-S2000	Jet Block (OB)	4/6	82	16191-25721	Gasket	2/3
	99996-S2001	Jet Block (OA)	4/6	83	16223-25720	Screw	8/12
31	16036-*****	Air Jet	4/6	84	16223-25721	Screw	4/6
32	16033-*****	Main Jet	4/6	85	16157-25520	Pump Spring	2/3
	16034-*****	Main Jet	4/6	86	16215-A0200	Washer	4/6
33	16317-E4200	Emulsion Tube (M)	4/6	87	16215-25520	Washer	4/6
34	16189-*****	Pilot Jet	4/6	88	16091-25520	Cotter Pin	2/3
35	16219-25720	Pump Valve Ball	4/6	89	16214-25520	Idle Adjust Screw	4/6
36	16285-25520*	Pump Valve Weight	4/6		16147-E6600	Idle Screw Cap	4/6
37	16286-25720	Pump Passage Plug	4/6	91	16145-25520	Adjust Screw Spring	6/9
38	16126-25720	Packing	4/6	92	16287-A0200	Stop Screw Bracket	2/3
39	16095-A0200	Pump Injector	4/6	93	16077-A0200	Screw	4/6
40	16080-25720	Injector Set Screw	4/6	94	16129-25520	Throttle Adjust Screw	2/3
41	16126-25721	Packing	4/6	95	16160-A0200	Throttle Return Spring	2/3
42	16191-25720	Gasket	4/6				
43	16125-A0200	Float Chamber Cover	2/3				
44	16064-A0200	Float Cover Gasket	2/3				
45	16101-14620	Needle Valve Assy (1.8mm)	2/3				
	99996-M1000	Needle Valve Assy (2.0mm)	2/3				
46	16094-25520*	Washer	2/3				
47	N/A	Fuel Inlet / Rear					
48	N/A	Fuel Inlet / Center					

99996-M8014 MIKUNI PHH CARBURETOR SERVICE MANUAL  
Excellent manual for servicing and troubleshooting the Mikuni (Solex) sidedraft (PHH) carburetor. Includes sections on selection, construction, overhaul, maintenance, inspection, tune-up & adjustment.

\*\*\*\*\*A complete listing of all outer venturis (key #19) and carburetor jets (keys #31, #32, & #34) can be found in the Nissan Motorsports Parts Catalog.

# SSS/SU CARBURETOR ASSY (EARLY STYLE)

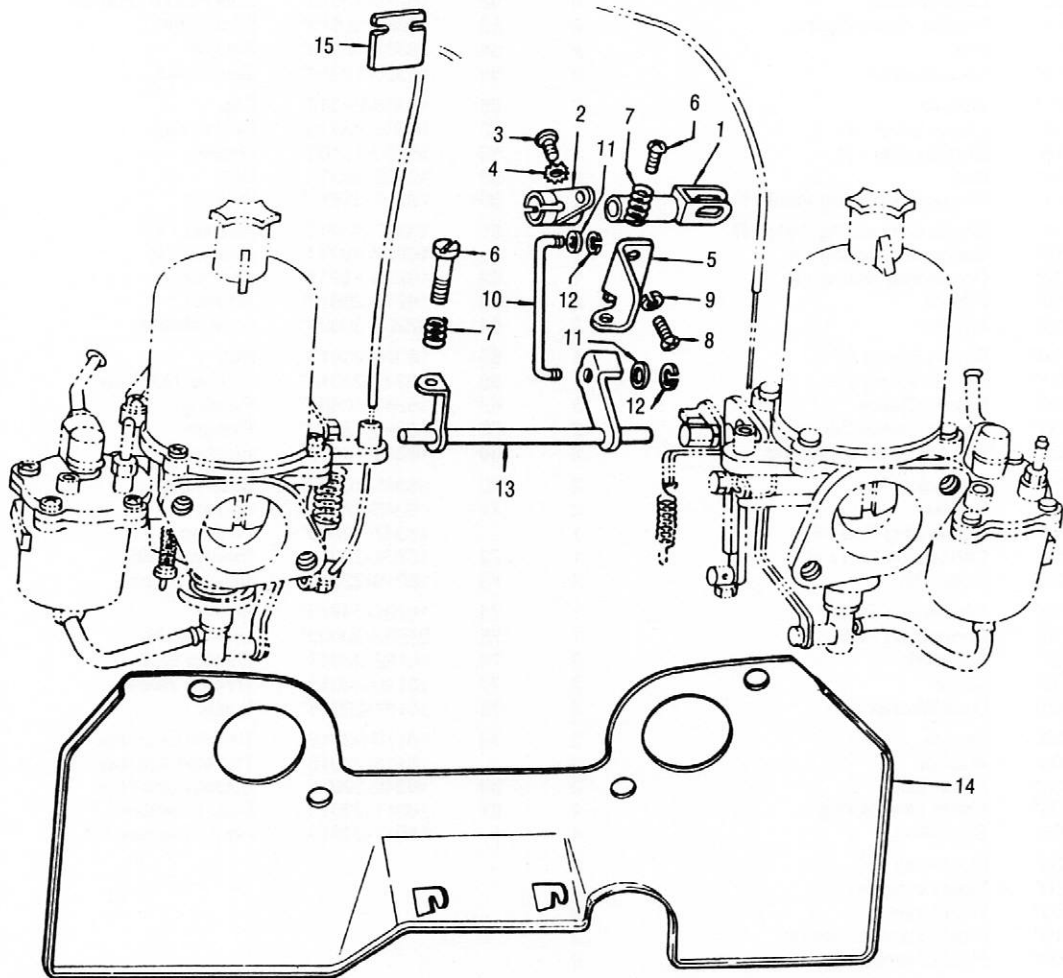




**SSS/SU CARBURETOR ASSY (EARLY STYLE)**

ITEM	PART NUMBER	PART NAME	QTY	ITEM	PART NUMBER	PART NAME	QTY
1	16010-22004	SSS/SU Carburetor Set	1	42	16101-10400*	Needle & Seat Assy	2
	16127-22015	Adjust Lever / F	1	43	16130-22010*	Washer	2
	16127-22016	Adjust Lever / R	1	44	16111-66810	Fuel Pipe Assy / F	1
2	16114-22015	Throttle Adjust Screw	2		16111-22017	Fuel Pipe Assy / R	1
3	16193-10400*	Throttle Adjust Screw Spring	2	45	16094-76500*	Washer	4
4	16084-58000*	Washer	2	46	16098-73401*	Filter Assy	2
5	16277-22010	Lever	2	47	16108-18010*	Inlet Bolt	2
6	16239-14610*	Sleeve	2	48	16331-10400*	Overflow Tube Bolt	2
7	16134-22012	Throttle Lever / F	1	49	16335-14610*	Gasket	4
	16134-22013	Throttle Lever / R	1	50	16131-19915*	Screw	8
8	16214-22011	Nut	2	51	23502-30000*	Lock Washer	8
9	23109-30000*	Lock Washer	2	52	16229-22010	Fuel Return Bracket	1
10	16194-22011	Throttle Return Spring	2	53	16356-25610*	Fuel Tube	2
11	16185-22015*	Bolt	2	54	16357-12210*	Sleeve	2
12	16076-14610*	Lock Washer	2	55	16359-12210*	Sleeve Nut	2
13	16217-10401*	Washer	2	56	16358-E4310*	Clip	4
14	16238-22015	Choke Lever / F	1	57	16031-A8710*	Drain Plug	2
	16238-22016	Choke Lever / R	1	58	16060-10400*	Gasket	2
15	16185-22016*	Bolt	2	59	16322-22010	Bolt	2
16	16147-14611*	Choke Connecting Plate / F	1	60	16217-25610*	Washer	2
	16147-73411*	Choke Connecting Plate / R	1	61	16227-A8710	Adapter / F	1
17	16157-14610*	Connecting Spring / F	1		16227-A8711	Adapter / R	1
	16157-73410*	Connecting Spring / R	1	62	16228-A8710	Washer	2
18	16116-14610*	Sleeve	2	63	16218-25610*	Washer	2
19	16072-14610*	Washer	2	64	22203-50000*	Lock Washer	2
20	16190-H2710*	Return Spring / F	1	65	16088-25610	Nut	2
	16190-H2711*	Return Spring / R	1	66	16341-25610*	Oil Cap Nut Assy	2
21	16351-10400*	Nozzle Sleeve	2	67	16342-10400*	Packing	2
22	16027-10400*	Nozzle Sleeve Screw	2	68	16343-12210*	Plunger	2
23	16145-10400*	Idle Adjust Screw Spring	2	69	16344-10400*	Washer	2
24	16144-25610*	Idle Adjust Nut	2	70	16345-10400*	Snap Ring	2
25	16355-22015	Nozzle	2	71	16346-12210*	Spring	2
26	16248-22010	Connecting Rod / F	1		16347-10400*	Packing	2
	16248-22011	Connecting Rod / R	1	72	16354-22011	Needle / M66	2
27	16091-10560*	Cotter Pin	2	73	16219-22015*	Needle Screw	2
28	16147-14710*	Connecting Plate / F	1	74	16131-19915*	Screw	8
	16147-78110	Connecting Plate / R	1	75	23502-30000*	Lock Washer	8
29	16091-10560*	Cotter Pin	2	76	16122-22016	Throttle Shaft	2
30	22103-E4310*	Screw	2	77	16120-22010	Throttle Valve	2
31	22156-85060*	Lock Washer	2	78	16121-22015	Screw	4
32	16123-14610*	Sleeve	2	79	16118-22015	Throttle Chamber / F	1
33	22185-50000*	Washer	2		16118-22016	Throttle Chamber / R	1
34	16324-10400*	Piston Lifter	2	80	16340-22015	Suction Chamber	2
35	16325-10400*	Piston Lifter Spring	2	81	16011-22015	Float Chamber / F	1
36	16326-10400*	Snap Ring	4		16011-22016	Float Chamber / R	1
37	16061-10400*	Float Assy	2				
38	16066-25610*	Float Lever Pin	2				
39	16062-10400*	Float Lever	2				
40	16064-22010*	Float Chamber Gasket	2				
41	16125-10400*	Float Chamber Cover	2				

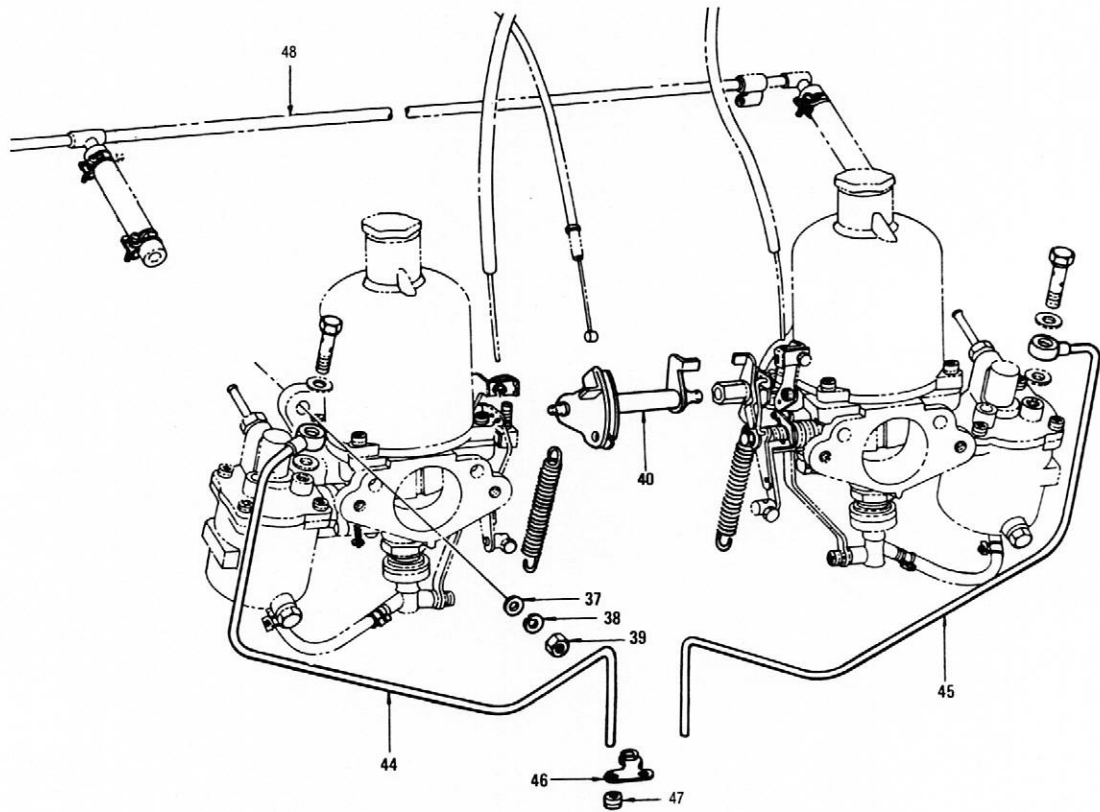
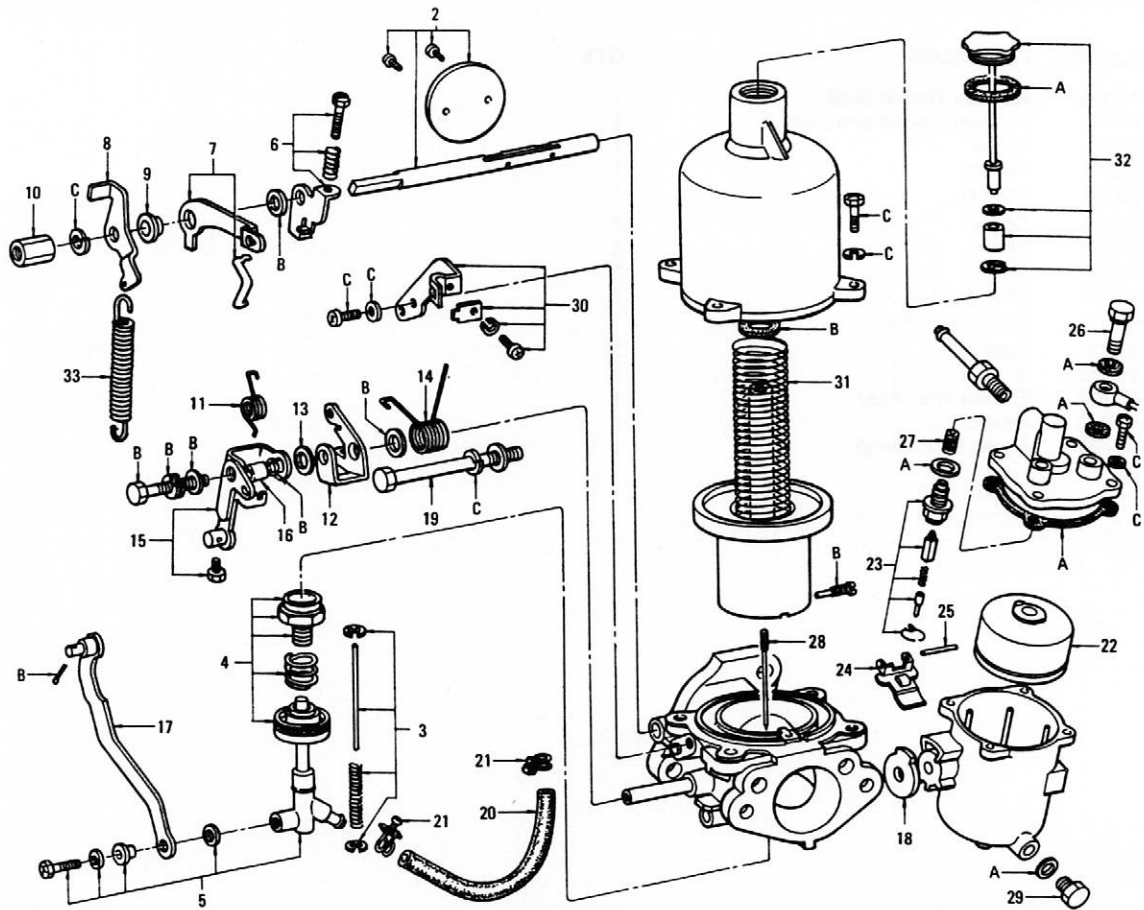
# SSS/SU LINKAGE ASSY



**SSS/SU LINKAGE ASSY**

<b>ITEM</b>	<b>PART NUMBER</b>	<b>PART NAME</b>	<b>QTY</b>
1	16361-22000	Auxiliary Throttle Shaft	1
2	16365-U0800	Auxiliary Throttle Shaft Arm	1
3	08330-51612	Screw	1
4	08916-43510	Washer	1
5	16794-22000	Bracket	1
6	16379-22000	Screw	2
7	16378-22000	Spring	2
8	08310-51012	Screw	2
9	08915-13510	Lock Washer	2
10	16371-22001	Connecting Rod	1
11	16084-22000	Washer	2
12	16179-22000	'E' Ring	2
13	16380-K1400	Throttle Shaft Assy	1
14	14330-U0800	Heat Shield	1
15	18418-A8700	Choke Wire Clamp	1

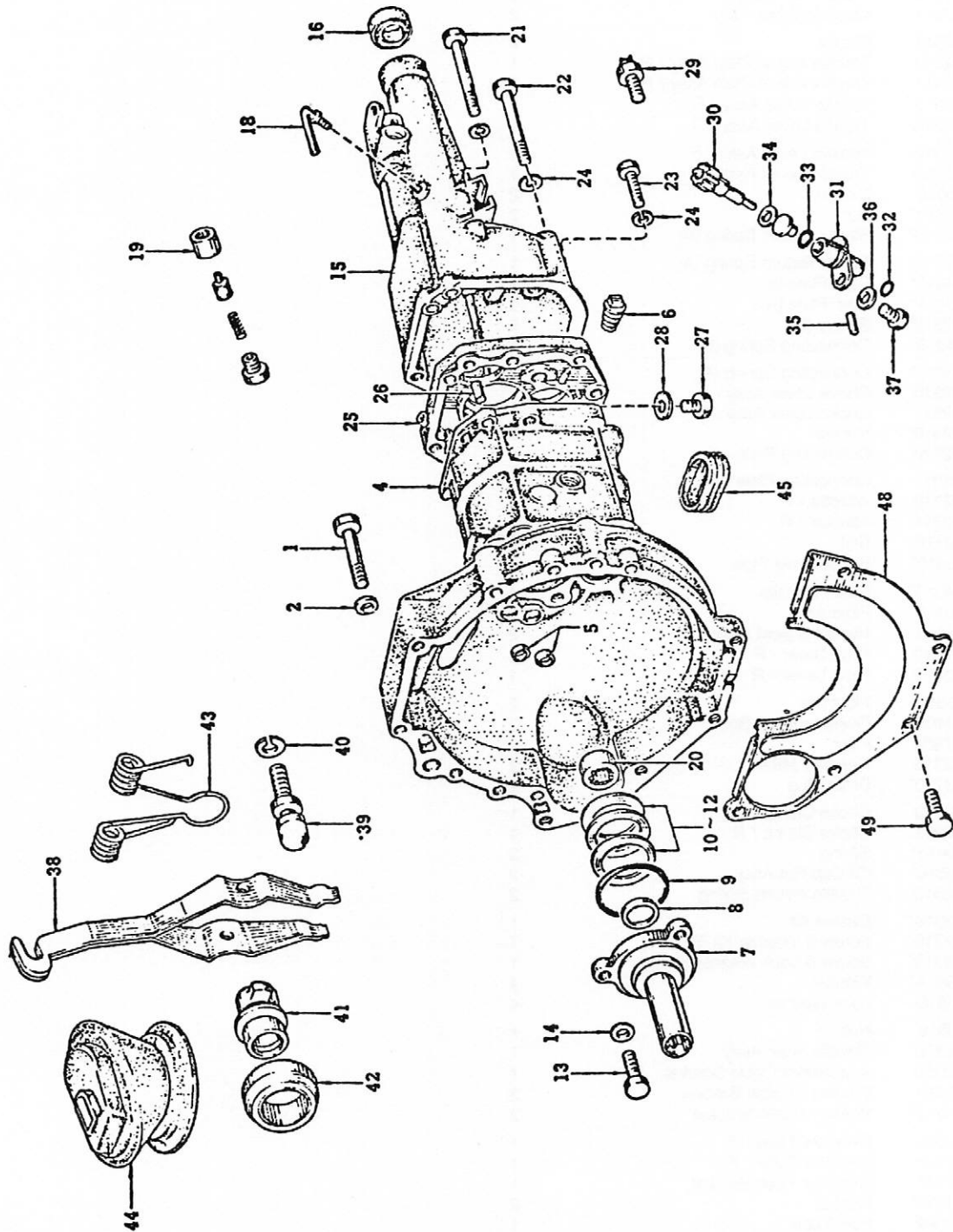
# GX/SU CARBURETOR ASSY (LATE STYLE)



**GX/SU CARBURETOR ASSY (LATE STYLE)**

ITEM	PART NUMBER	PART NAME	QTY
1	16010-H2336	GX/SU Carburetor Assy / F	1
	16010-H2337	GX/SU Carburetor Assy / R	1
2	16122-H2310	Throttle Assy	2
3	16324-H2310	Piston Lifter Assy	2
4	16144-H2311*	Idle Adjust Nut Assy	2
5	16355-H2311	Nozzle	2
6	16127-H2310	Throttle Adjust Plate Assy / F	1
	16127-H2311	Throttle Adjust Plate Assy / R	1
7	16277-H2312	1st Idle Lever Assy / F	1
	16277-H2315	1st Idle Lever Assy / R	1
8	16134-H2310	Throttle Lever Assy / F	1
	16134-H2313	Throttle Lever Assy / R	1
9	16083-58000	Sleeve	2
10	16214-25610*	Nut	2
11	16190-H2710*	Starter Return Spring (B)	1
	16190-H2711*	Starter Return Spring (A)	1
12	16147-14611*	Cam Plate (B)	1
	16147-73411*	Cam Plate (A)	1
13	16116-H2310*	Sleeve (B)	2
14	16157-14610*	Connecting Spring (B)	1
	16157-73410*	Connecting Spring (A)	1
15	16238-H2310	Choke Lever Assy / F	1
	16238-H2311	Choke Lever Assy / R	1
16	16116-H2310*	Sleeve	2
17	16147-H2310	Connecting Plate / F	1
	16147-H2311	Connecting Plate / R	1
18	16227-H2310	Adapter / F	1
	16227-H2311	Adapter / R	1
19	16322-E3210	Bolt	2
20	16356-25610*	Rubber Fuel Pipe	2
21	16358-E4310*	Fuel Pipe Clip	4
22	16061-10400*	Float Assy	2
23	16101-18010	Needle & Seat Assy	2
24	16062-H2310	Float Lever / F	1
	16062-H2710	Float Lever / R	1
25	16066-25610*	Float Pin	2
26	16331-10400*	Overflow Tube Bolt	2
27	16098-H7860*	Filter	2
28	16554-H2316	Needle / M83	2
29	16031-A8710*	Drain Plug	2
30	16418-H2310	Choke Clamp / F	1
	16419-H2311	Choke Clamp / R	1
31	16346-10615*	Spring	2
32	16341-25610*	Oil Cap Nut Assy	2
33	16194-H2312	Throttle Return Spring	2
34	16455-H2310*	Gasket Kit	1
35	16475-H2310*	Screw & Washer Kit (B)	1
36	16465-H2310*	Screw & Lock Washer Kit (A)	1
37	08915-4381A*	Washer	4
38	08915-13810	Lock Washer	4
39	08911-20810	Nut	4
40	16361-H2300	Throttle Shaft Assy	1
41	16376-H2300	Accelerator Cable Bracket	1
42	08915-13510	Washer / Cable Bracket	2
43	08460-51012*	Screw / Cable Bracket	2
44	16031-H2300	Overflow Tube / F	1
45	16031-H2301	Overflow Tube / R	1
46	14012-22002	Overflow Tube Bracket	1
47	18455-30000*	Rubber	2
48	17523-H2302	Fuel Tube	1

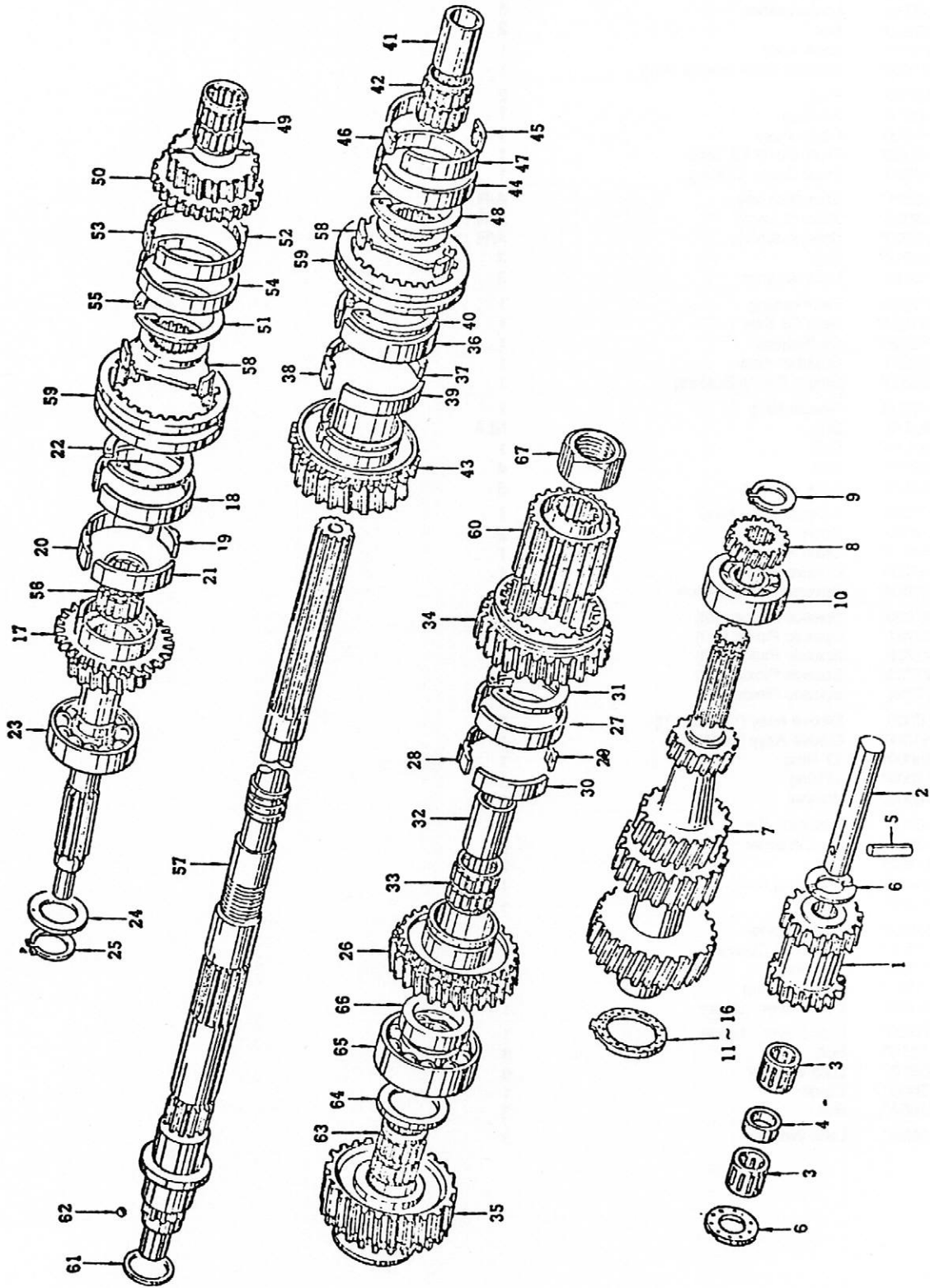
# F5C56A TRANSMISSION HOUSING



**F5C56A TRANSMISSION HOUSING (1200, B210 & 210/B310)**

ITEM	PART NUMBER	PART NAME	QTY
1	08120-85510*	Bolt	6
2	08915-33810*	Lock Washer	6
3	08114-0201D*	Bolt	3
4	C2100-H6231	Case Assy	1
	32219-G1000*	Counter Shaft Needle Brng	1
5	32102-18000*	Plug	2
6	00931-1081A*	Fill Plug	1
7	32110-H1000*	Cover Assy	1
8	32113-H3100*	Front Cover Oil Seal	1
9	32112-18000*	Front Cover 'O' Ring	1
10	32208-18001*	Shim (0.2mm)	A/R
11	32208-18002*	Shim (0.1mm)	A/R
12	32208-18003*	Shim (0.3mm)	A/R
13	08120-8251A*	Bolt	3
14	08915-13810	Lock Washer	3
15	32130-H7230	Tail Housing	1
16	32136-G1001*	Rear Oil Seal	1
17	32150-H5000*	Oil Retainer	1
18	38322-H7201	Breather Assy	1
19	32140-24900*	Return Spring Bushing	1
20	32351-H7200	Needle Brng	1
21	08120-80510	Bolt	NLA
22	08120-8011A*	Bolt	1
23	08120-85510*	Bolt	4
24	08915-33810*	Lock Washer	8
25	32137-H7200	Adapter Plate Assy	1
26	32133-18000*	Dowel Pin	2
27	08931-44210*	Drain Plug	1
28	32155-H7200	Copper Gasket	1
29	32005-K1004*	Reverse Lamp Switch	1
30	32703-27720	Speedo Pinion (15t)	1
	32703-27721	Speedo Pinion (16t)	1
	32703-27722	Speedo Pinion (17t)	1
	32703-27723	Speedo Pinion (18t)	1
	32703-27724	Speedo Pinion (19t)	1
31	32707-18000	Sleeve Assy (15t/16t/17t)	1
	32707-H1000*	Sleeve Assy (18t/19t)	1
32	32709-18000*	'O' Ring	1
33	32710-18000*	'O' Ring	1
34	32708-18000*	Washer	1
35	32712-18000*	Retaining Pin	1
36	08915-1362A*	Lock Washer	2
37	08110-61462*	Bolt	2
38	30531-H1600*	T/O Brng Arm	1
39	30537-21010*	Ball Pin	1
40	08915-2402A*	Lock Washer	1
41	30501-H7500*	T/O Brng Sleeve	1
42	30502-21000*	T/O Brng	1
43	30533-H1001*	Return Spring	1
44	30543-H1600*	Dust Cover / Upper	1
45	30542-H1600*	Dust Cover / Lower	1
46	08120-85510*	Bolt	6
47	08915-33810*	Lock Washer	6
48	30422-18000*	Cover	1
49	08110-6105A*	Bolt	3
	08915-1362A*	Lock Washer	3

# F5C56A TRANSMISSION GEARS

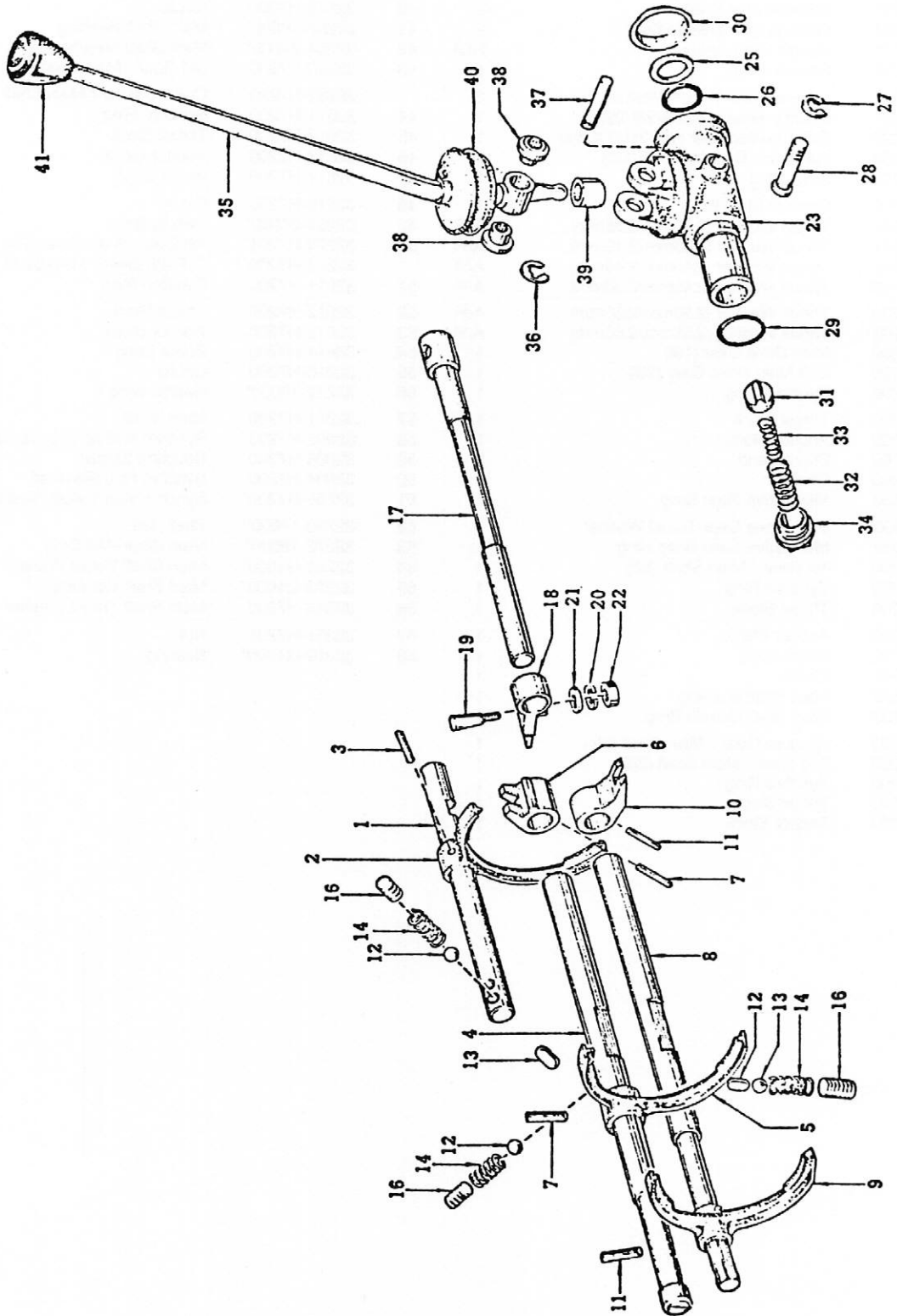




**F5C56A TRANSMISSION GEARS (1200, B210 & 210/B310)**

ITEM	PART NUMBER	PART NAME	QTY	ITEM	PART NUMBER	PART NAME	QTY
1	32282-H7200	Reverse Idler Gear (15t/17t)	1	39	32614-H7200	Brake Band	2
2	32281-H7200	Reverse Idler Shaft	1	40	32616-H7200	Circlip	1
3	32283-H7201	Reverse Idler Needle Brng	2	41	32253-18000*	Main Shaft Bushing	1
4	32285-H7201	Needle Brng Spacer	NLA	42	32264-24900*	Main Shaft Needle Brng	1
5	32293-73200*	Retaining Pin	1	43	32260-H7200	3rd Gear / Main Shaft (25t)	1
6	32284-H7201	Reverse Idler Thrust Washer	2		32262-H7220	C/R 3rd Gear / Main Shaft (27t)	1
7	32213-H7201	Counter Gear (18t/23t/28t/29t)	1	44	32611-H7200	Synchro Ring	1
	32213-H7220	C/R Counter Gear (18t/21t/23t/25t)	1	45	32612-H7200	Thrust Block	1
8	32220-H7200	1st Gear / Counter Shaft (13t)	1	46	32613-H7200	Anchor Block	1
9	32221-H7201	Snap Ring	1	47	32614-H7200	Brake Band	2
10	32223-H8500*	Counter Shaft Brng	1	48	32616-H7200	Circlip	1
11	32224-H7200*	Thrust Washer (2.30mm/2.35mm)	A/R	49	32264-24900*	Needle Brng	1
12	32224-H7201*	Thrust Washer (2.35mm/2.40mm)	A/R	50	32270-H7201	4th Gear / Main Shaft (23t)	1
13	32224-H7202*	Thrust Washer (2.40mm/2.45mm)	A/R		32272-H7220	C/R 4th Gear / Main Shaft (25t)	1
14	32224-H7203*	Thrust Washer (2.45mm/2.50mm)	A/R	51	32611-H7200	Synchro Ring	1
15	32224-H7204*	Thrust Washer (2.50mm/2.55mm)	A/R	52	32612-H7200	Thrust Block	1
16	32224-H7205*	Thrust Washer (2.55mm/2.60mm)	A/R	53	32613-H7200	Anchor Block	1
17	32200-H7200	Main Drive Gear (19t)	1	54	32614-H7200	Brake Band	2
	32202-H7220	C/R Main Drive Gear (23t)	1	55	32616-H7200	Circlip	1
18	32611-H7200	Synchro Ring	1	56	32272-18000*	Needle Brng	1
19	32612-H7200	Thrust Block	1	57	32241-H7200	Main Shaft	1
20	32613-H7200	Anchor Block	1	58	32605-H7200	Synchro Hub (2nd/3rd & 4th/5th)	2
21	32614-H7200	Brake Band	2	59	32606-H7200	Coupling Sleeve	2
22	32616-H7200	Circlip	1	60	32604-H7200	Synchro Hub (Rev/1st)	1
23	32203-E9800	Main Drive Gear Brng	1	61	32265-H7200*	Synchro Hub Thrust Washer	1
24	32205-18000*	Main Drive Gear Thrust Washer	1	62	32720-14600*	Steel Ball	1
25	32204-18000*	Main Drive Gear Snap Ring	1	63	32272-18000*	Main Shaft Pilot Brng	1
26	32230-H7200	1st Gear / Main Shaft (32t)	1	64	32246-G1000*	Main Shaft Thrust Washer	1
27	32611-H7200	Synchro Ring	1	65	32273-G1000*	Main Shaft Ball Brng	1
28	32617-H7200	Thrust Block	1	66	32248-H7200	Main Shaft Thrust Washer	1
29	32613-H7200	Anchor Block	1	67	32354-H7201	Nut	1
30	32614-H7200	Brake Band	1	68	32219-G1000*	Bearing	1
31	32616-H7200	Circlip	1				
32	32253-18000*	Main Shaft Bushing	1				
33	32264-24900*	Main Shaft Needle Brng	1				
34	32245-H7200	Reverse Gear / Main Shaft (39t)	1				
35	32250-H7200	2nd Gear / Main Shaft (28t)	1				
36	32611-H7200	Synchro Ring	1				
37	32612-H7200	Thrust Block	1				
38	32613-H7200	Anchor Block	1				

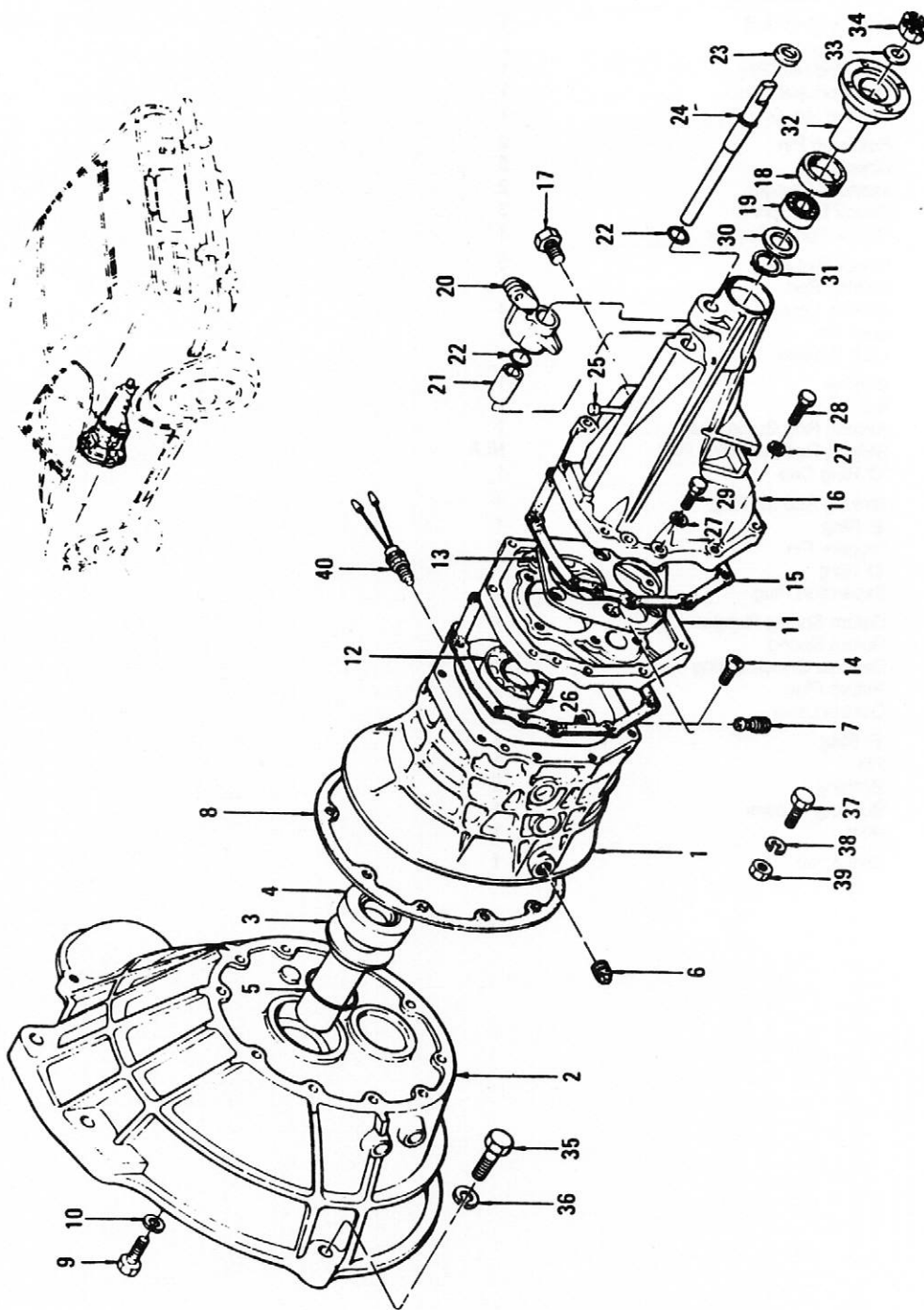
# F5C56A TRANSMISSION SHIFT MECHANISM



**F5C56A TRANSMISSION SHIFT MECHANISM (1200, B210 & 210/B310)**

ITEM	PART NUMBER	PART NAME	QTY
1	32816-H7200	Shift Rod (Rev/1st	1
2	32819-H7200	Shift Fork (Rev/1st)	1
3	32293-73200*	Retaining Pin	1
4	32801-H7200	Shift Rod (2nd/3rd)	1
5	32805-H7200	Shift Fork (2nd/3rd)	1
6	32813-H7200	Bracket (2nd/3rd)	1
7	32293-73200*	Retaining Pin	2
8	32809-H7200	Shift Rod (4th/5th)	1
9	32805-H7200	Shift Fork (4th/5th)	1
10	32382-H7200	Bracket (4th/5th)	1
11	32293-73200*	Retaining Pin	2
12	32829-26760*	Check Ball	3
13	32832-18000*	Interlock Plunger	2
14	32830-18000*	Check Ball Spring	3
15	32154-H7200	Check Spring Spacer	1
16	32834-H7200	Check Ball Plug	3
17	32892-H7200	Striking Rod	1
18	32896-H7200	Striking Lever	1
19	32917-H7200	Lock Pin	1
20	08915-1362A*	Lock Washer	1
21	08915-5361A*	Washer	1
22	08911-20610*	Nut	1
23	32850-H5200	Striking Rod Guide Assy	1
24	32845-24900	Striking Rod Retaining Pin	NLA
25	32858-U6702*	'O' Ring Cap	1
26	32858-14600*	Striking Rod 'O' Ring	1
27	32846-24900*	'E' Ring	1
28	32847-24901*	Stopper Pin	1
29	32848-24900*	'O' Ring	1
30	00933-32810*	Expansion Plug	1
31	32851-24900*	Return Spring Plunger	1
32	32852-24901*	Return Spring	1
33	32856-24901*	Reverse Check Spring	1
34	32853-E9300*	Return Plug	1
35	32841-H1011*	Control Lever	1
36	32854-24900*	'E' Ring	1
37	32849-H1010*	Pin	1
38	32855-H1010*	Bushing	2
39	32861-N4200	Bushing / Lower	1
40	32862-G1200*	Boot	1
41	NPN	Shift Knob	1

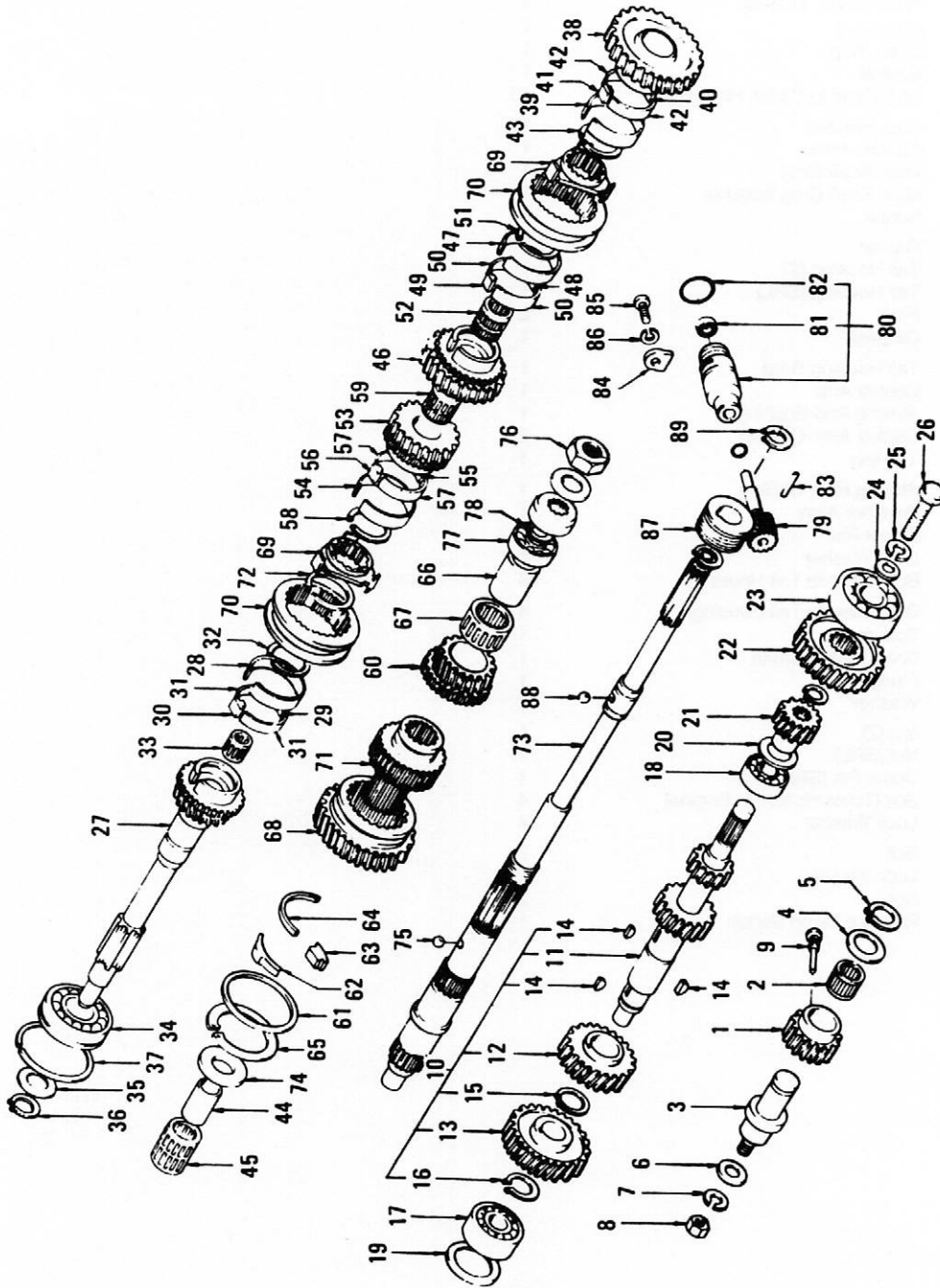
# FS5C71A TRANSMISSION HOUSING



**FS5C71A TRANSMISSION HOUSING (EARLY STYLE O/D 5-SPD)**

ITEM	PART NUMBER	PART NAME	QTY
1	32101-P0701*	Transmission Case	1
2	30401-22010	Clutch Housing (Z)	1
	30401-78201*	Clutch Housing (SRL)	1
3	32110-78000*	Front Cover	1
4	32114-Y4000*	Front Cover Oil Seal	1
5	32115-20100*	Front Cover 'O' Ring	1
6	38357-E4600*	Filler Plug	1
7	32103-U8401*	Drain Plug	1
8	32118-78000*	Gasket	1
9	08120-8321A*	Bolt (Case to Clutch Housing)	10
10	08915-23810*	Lock Washer	10
11	32138-78000*	Adapter Plate	1
12	32273-04100*	Main Shaft Brng	1
13	32139-20100*	Main Shaft Brng Retainer	1
14	08320-82012*	Screw	6
15	32134-78000*	Gasket	1
16	32130-A7100	Tail Housing (Z)	1
	32130-25500*	Tail Housing (SRL)	1
17	00933-20570*	Plug	2
18	32136-20100*	Oil Seal	1
19	32203-14360*	Tail Housing Brng	1
20	32844-25500*	Control Arm	1
21	32887-18800*	Striking Rod Bushing	1
22	32845-18800*	Control Arm 'O' Ring	2
23	32857-14600*	'O' Ring	1
24	32858-14600*	Striking Rod 'O' Ring	1
25	38322-N0100	Breather Assy	1
26	32106-20100*	Dowel Pin	2
27	08915-33810*	Lock Washer	8
28	08130-8501A*	Bolt (Case to Tail Housing)	4
29	08130-86510	Bolt (Case to Tail Housing)	4
30	32144-25500*	Spacer	1
31	32228-20103*	Snap Ring (1.4mm)	1
32	32140-20100*	Flange Assy	1
33	32248-25500*	Washer	1
34	08912-85010*	Nut (Z)	1
	08911-05010*	Nut (SRL)	1
	00921-43510*	Cotter Pin (SRL)	1
35	08131-0601A*	Bolt (Transmission to Engine)	4
36	08915-2402A*	Lock Washer	4
37	32055-47600*	Bolt	2
38	08915-13810	Lock Washer	2
39	08911-1081A*	Nut	2
40	32005-K1004*	Reverse Lamp Switch	1

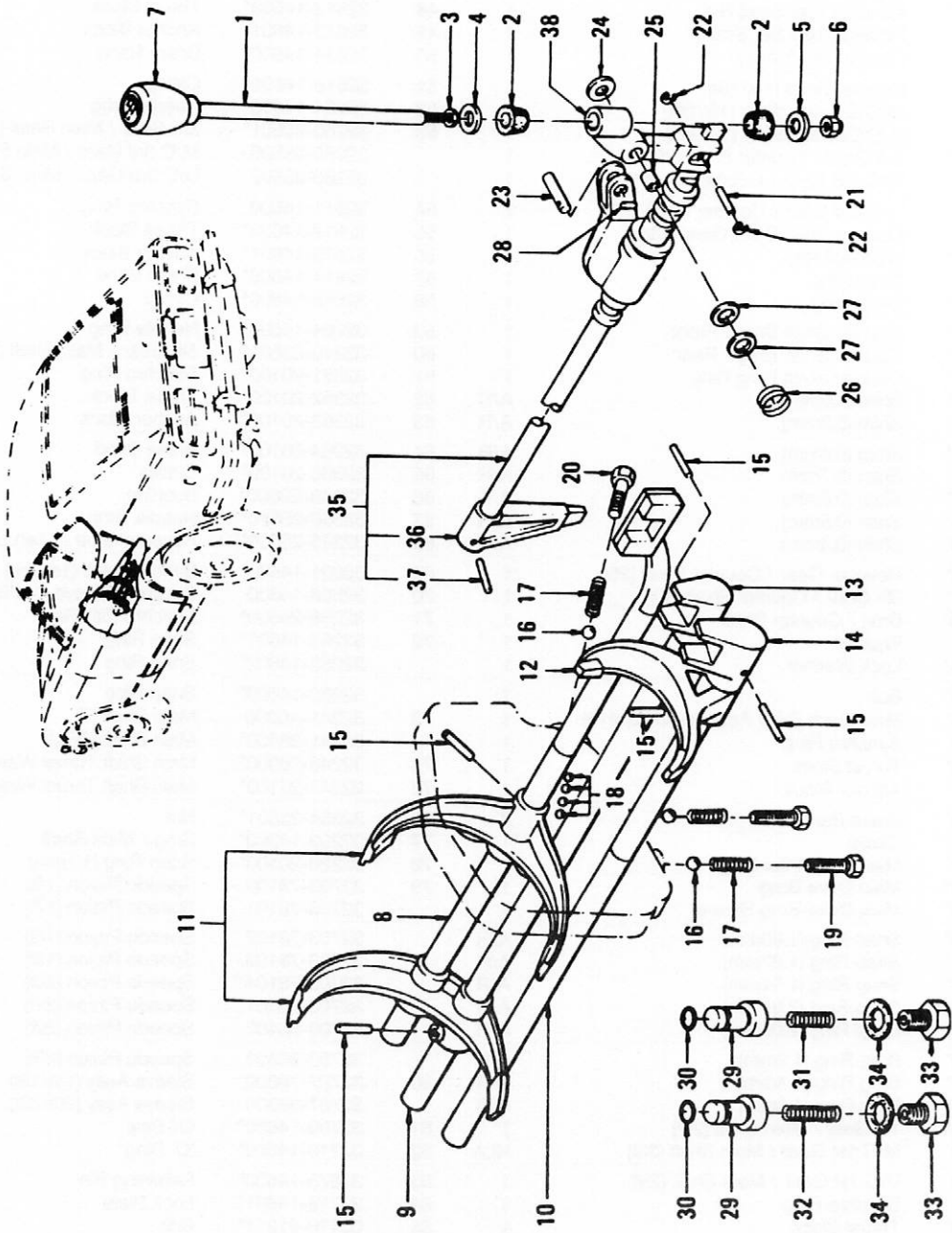
# FS5C71A TRANSMISSION GEARS



**FS5C71A TRANSMISSION GEARS (EARLY STYLE O/D 5-SPD)**

ITEM	PART NUMBER	PART NAME	QTY	ITEM	PART NUMBER	PART NAME	QTY
1	32282-78010*	Reverse Idler Gear (17t)	1	43	32616-14600*	Circlip	1
2	32272-36910*	Needle Brng	1	44	32253-14601*	Bushing / Main Shaft	1
3	32281-78010*	Reverse Idler Shaft	1	45	32264-14600*	Needle Brng	1
4	32284-78000*	Reverse Thrust Washer	2	46	32250-25501*	2nd Gear / Main Shaft (29t)	1
5	32285-20100*	Reverse Idler Snap Ring	1		32250-25500	M/C 2nd Gear / Main Shaft (28t)	1
6	32294-78010*	Washer	1		32250-25502	U/C 2nd Gear / Main Shaft (25t)	NLA
7	08915-14410*	Lock Washer	1	47	32611-14600	Synchro Ring	1
8	08911-3441A*	Reverse Idler Shaft Nut	1	48	32612-14603*	Thrust Block	1
9	32290-78000*	Reverse Idler Set Screw	1	49	32613-14601*	Anchor Block	1
10	32210-25501	Counter Shaft Assy	1	50	32614-14600*	Brake Band	2
11	32212-25501*	Counter Shaft (14t/19t)	1	51	32616-14600*	Circlip	1
	32212-25500	M/C Counter Shaft (15t/20t)	1	52	32264-14600*	Needle Brng	1
	32212-25502	U/C Counter Shaft (19t/22t)	1	53	32260-25501*	3rd Gear / Main Shaft (28t)	1
12	32216-78010*	3rd Gear / Counter Shaft (26t)	1		32260-25500	M/C 3rd Gear / Main Shaft (28t)	1
	32216-25500	M/C 3rd Gear / Counter Shaft (27t)	1		32260-25502	U/C 3rd Gear / Main Shaft (27t)	1
	32216-25502	U/C 3rd Gear / Counter Shaft (27t)	1	54	32611-14600	Synchro Ring	1
13	32200-78050*	Counter Shaft Drive Gear (23t)	1	55	32612-14603*	Thrust Block	1
14	00926-51600*	Woodruff Key	4	56	32613-14601*	Anchor Block	1
15	00922-13200*	Snap Ring	1	57	32614-14600*	Brake Band	2
16	00922-12800*	Snap Ring	1	58	32616-14600*	Circlip	1
17	32273-14360*	Counter Shaft Brng / Front	1	59	32264-14600*	Needle Brng	1
18	32203-E0100*	Counter Shaft Brng / Rear	1	60	32340-25501*	5th Gear / Main Shaft (21t)	1
19	32224-20100*	Counter Shaft Brng Ring	1	61	32361-20100*	Synchro Ring	1
20	32218-20100*	Shim (1.0mm)	A/R	62	32362-20100*	Thrust Block	1
	32218-20101*	Shim (0.9mm)	A/R	63	32363-20100*	Anchor Block	1
	32218-20102*	Shim (0.8mm)	A/R	64	32364-20100*	Brake Band	1
	32218-20103*	Shim (0.7mm)	A/R	65	32366-20100*	Circlip	1
	32218-20104*	Shim (0.6mm)	A/R	66	32349-E9800*	Bushing	1
	32218-20105*	Shim (0.5mm)	A/R	67	32350-25510*	Needle Brng	1
	32218-20106*	Shim (0.4mm)	A/R	68	32245-25500*	Reverse Gear / Main Shaft (36t)	1
21	32220-25500*	Reverse Gear / Counter Shaft (25t)	1	69	32601-14600*	Synchro Hub (1st/2nd & 3rd/4th)	2
22	32310-25500*	5th Gear / Counter Shaft (30t)	1	70	32606-14600	Coupling Sleeve (1st/2nd & 3rd/4th)	2
23	32319-N4800*	Brng / Counter Shaft	1	71	32258-25500*	Synchro (5th/Rev)	1
24	01311-01091*	Washer	1	72	32263-14601*	Snap Ring	A/R
25	08915-2402A*	Lock Washer	1		32263-14602*	Snap Ring	A/R
26	32236-25500*	Bolt	1		32263-14603*	Snap Ring	A/R
27	32200-25550*	Main Drive Gear Assy (Includes #13)	1	73	32241-A0200	Main Shaft (Z)	1
28	32611-14600	Synchro Ring	1		32241-25500*	Main Shaft (SRL)	1
29	32612-14603*	Thrust Block	1	74	32246-78000*	Main Shaft Thrust Washer	1
30	32613-14601*	Anchor Block	1	75	32247-20100*	Main Shaft Thrust Washer Ball	1
31	32614-14600*	Brake Band	2	76	32354-25501*	Nut	1
32	32616-14600*	Circlip	1	77	32203-14360*	Brng / Main Shaft	1
33	32272-36900*	Main Shaft Pilot Brng	1	78	32228-20100*	Snap Ring (1.1mm)	1
34	32273-04100*	Main Drive Brng	1	79	32703-78100	Speedo Pinion (16t)	1
35	32205-78000*	Main Drive Brng Spacer	1		32703-78101	Speedo Pinion (17t)	1
36	32204-78000*	Snap Ring (1.80mm)	A/R		32703-78102	Speedo Pinion (18t)	1
	32204-78001*	Snap Ring (1.87mm)	A/R		32703-78103	Speedo Pinion (19t)	1
	32204-78002*	Snap Ring (1.94mm)	A/R		32703-78104*	Speedo Pinion (20t)	1
	32204-78003*	Snap Ring (2.01mm)	A/R		32703-86401	Speedo Pinion (21t)	1
	32204-78004*	Snap Ring (2.08mm)	A/R		32703-86402	Speedo Pinion (22t)	1
37	32207-20100*	Brng Ring (1.2mm)	A/R		32703-86403	Speedo Pinion (23t)	1
	32207-20101*	Brng Ring (1.4mm)	A/R	80	32707-78000*	Sleeve Assy (16t/19t)	1
	32207-20102*	Brng Ring (1.6mm)	A/R		32707-66300	Sleeve Assy (20t/23t)	1
38	32242-25525*	1st Gear / Main Shaft (34t)	1	81	32709-14600*	Oil Seal	1
	32242-25510	M/C 1st Gear / Main Shaft (33t)	NLA	82	32710-14600*	'O' Ring	1
	32242-25512	U/C 1st Gear / Main Shaft (29t)	1	83	32873-14600*	Retaining Pin	1
39	32611-14600	Synchro Ring	1	84	32718-14601*	Lock Plate	1
40	32617-14610*	Thrust Block	1	85	08110-61211*	Bolt	1
41	32613-14601*	Anchor Block	1	86	08915-1362A*	Lock Washer	1
42	32614-14600*	Brake Band	1	87	32701-E9800*	Drive Gear (6t)	1
				88	32720-36900*	Steel Ball	1
				89	32228-20100*	Snap Ring (1.1mm)	A/R
					32228-20101*	Snap Ring (1.2mm)	A/R
					32228-20102*	Snap Ring (1.3mm)	A/R
					32228-20103*	Snap Ring (1.4mm)	A/R

# FS5C71A TRANSMISSION SHIFT MECHANISM



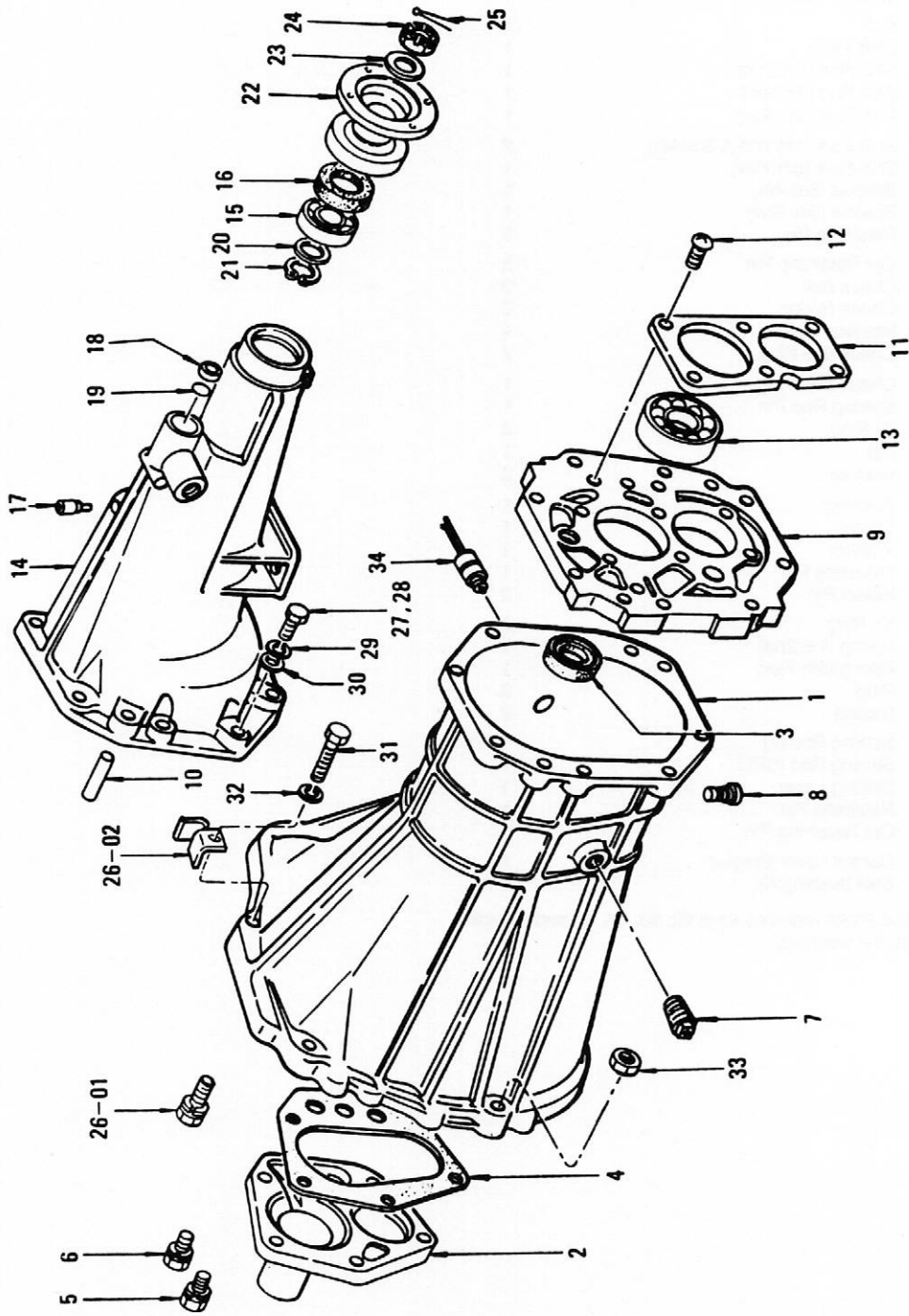


**FS5C71A TRANSMISSION SHIFT MECHANISM (EARLY STYLE O/D 5-SPD)**

ITEM	PART NUMBER	PART NAME	QTY
1	32841-25500*	Control Lever	1
2	32853-22000*	Bushing	2
3	32855-A7100*	Washer	1
4	32885-22001*	Washer / Upper	1
5	32886-22000*	Washer / Lower	1
6	08912-5401A*	Nut	1
7	NPN	Shift Knob	1
8	32801-25500*	Shift Rod (1st/2nd)	1
9	32809-25500*	Shift Rod (3rd/4th)	1
10	32816-25500*	Shift Rod (5th/Rev)	1
11	32811-78000*	Shift Fork (1st/2nd & 3rd/4th)	2
12	32819-20100*	Shift Fork (5th/Rev)	1
13	32813-20100*	Bracket (3rd/4th)	1
14	32382-20100*	Bracket (5th/Rev)	1
15	32292-1460010*	Retaining Pin	5
	32292-A7610	Opt Retaining Pin	5
16	32829-26760*	Check Ball	3
17	32830-20100*	Check Spring	3
18	32720-36900*	Interlock Ball	4
19	32834-78000*	Check Ball Plug	2
20	32835-78000*	Check Ball Plug	1
21	32877-14600*	Striking Rod Pin	1
22	32878-14600*	'E' Ring	2
23	32849-14600*	Pin	1
24	32888-14600*	Washer	2
25	32889-14600*	Bushing	1
26	32851-14600*	Spring	1
27	01311-01091*	Washer	1
28	32873-14600*	Retaining Pin	1
29	32861-A0100*	Select Pin	2
30	32864-A0100*	'O' Ring	2
31	32845-A0100*	Spring (1st/2nd)	1
32	32846-A0100*	Spring (5th/Rev)	1
33	32862-25500*	Plug	2
34	32863-20100*	Gasket	2
35	32890-A0100*	Striking Rod (Z)	1
	32890-25500*	Striking Rod (SRL)	1
36	32896-25500*	Striking Lever	1
37	32292-1460010*	Retaining Pin	1
	32292-A7610	Opt Retaining Pin	1
38	32843-E4150*	Control Lever Bracket	1
	99996-C3030**	Shift Bushing Kit	1

\*\*The shift bushing kit (9/6-C3030) replaces keys #2, #3, #4, #5 and #6 with special aluminum bushings and washers.

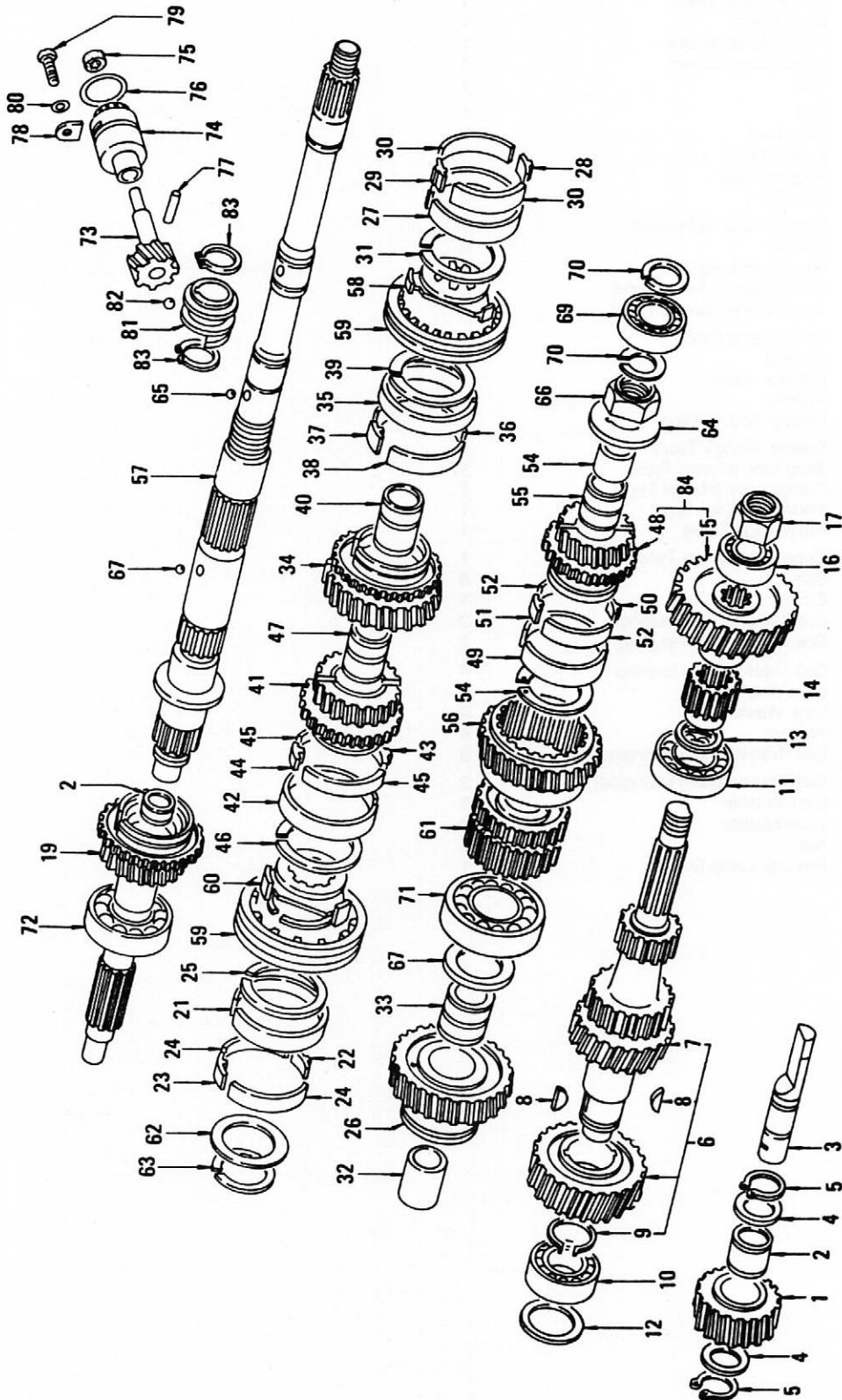
# FS5C71B TRANSMISSION HOUSING



**FS5C71B TRANSMISSION HOUSING (LATE STYLE O/D 5-SPD)**

ITEM	PART NUMBER	PART NAME	QTY
1	32101-E9017*	Transmission Case	1
2	32111-E9800*	Front Cover	1
3	32114-Y4000*	Front Cover Oil Seal	1
4	32112-E9001*	Front Cover Gasket	1
5	08120-83028*	Bolt	4
6	08120-83562*	Bolt	1
7	38357-E4600*	Filler Plug	1
8	32103-U8401*	Drain Plug	1
9	32138-E9811*	Adapter Plate	1
10	32106-20100*	Dowel Pin	2
11	32139-E9810*	Main Shaft Brng Retainer	1
12	08320-82012*	Screw	6
13	32273-36900*	Main Shaft Brng	1
14	32130-E9500	Tail Housing (Flange Type)	1
	32130-E9401*	Tail Housing (Sleeve Type)	1
15	32203-14360*	Tail Housing Brng	1
16	32136-U0100*	Oil Seal	1
17	38322-N0100	Breather Assy	1
18	32857-14600*	'O'Ring	1
19	32858-14600*	Striking Rod 'O' Ring	1
20	32144-E9500	Spacer (Flange Type)	1
21	32228-E9500	Snap Ring (Flange Type)	1
22	32140-20100*	Flange Assy (Flange Type)	1
23	32248-25500*	Washer (Flange Type)	1
24	08911-95010	Nut (Flange Type)	1
25	00921-44010*	Cotter Pin (Flange Type)	1
26	08120-85028*	Bolt	8
	24210-89957*	Clamp	1
27	32012-A0200	Bolt (Case to Tail Housing)	2
28	08131-28010	Bolt (Case to Tail Housing)	2
	08131-0601A*	Bolt (Case to Tail Housing)	4
29	08915-1421A*	Lock Washer	4
	08915-2402A*	Lock Washer	4
30	08915-44210*	Washer	4
31	08111-03010	Bolt (Transmission to Engine)	5
	08110-8251A*	Bolt (Transmission to Engine)	2
32	08915-2402A*	Lock Washer	5
	08915-13810	Lock Washer	2
33	08911-1081A*	Nut	2
34	32005-K1004*	Reverse Lamp Switch	1

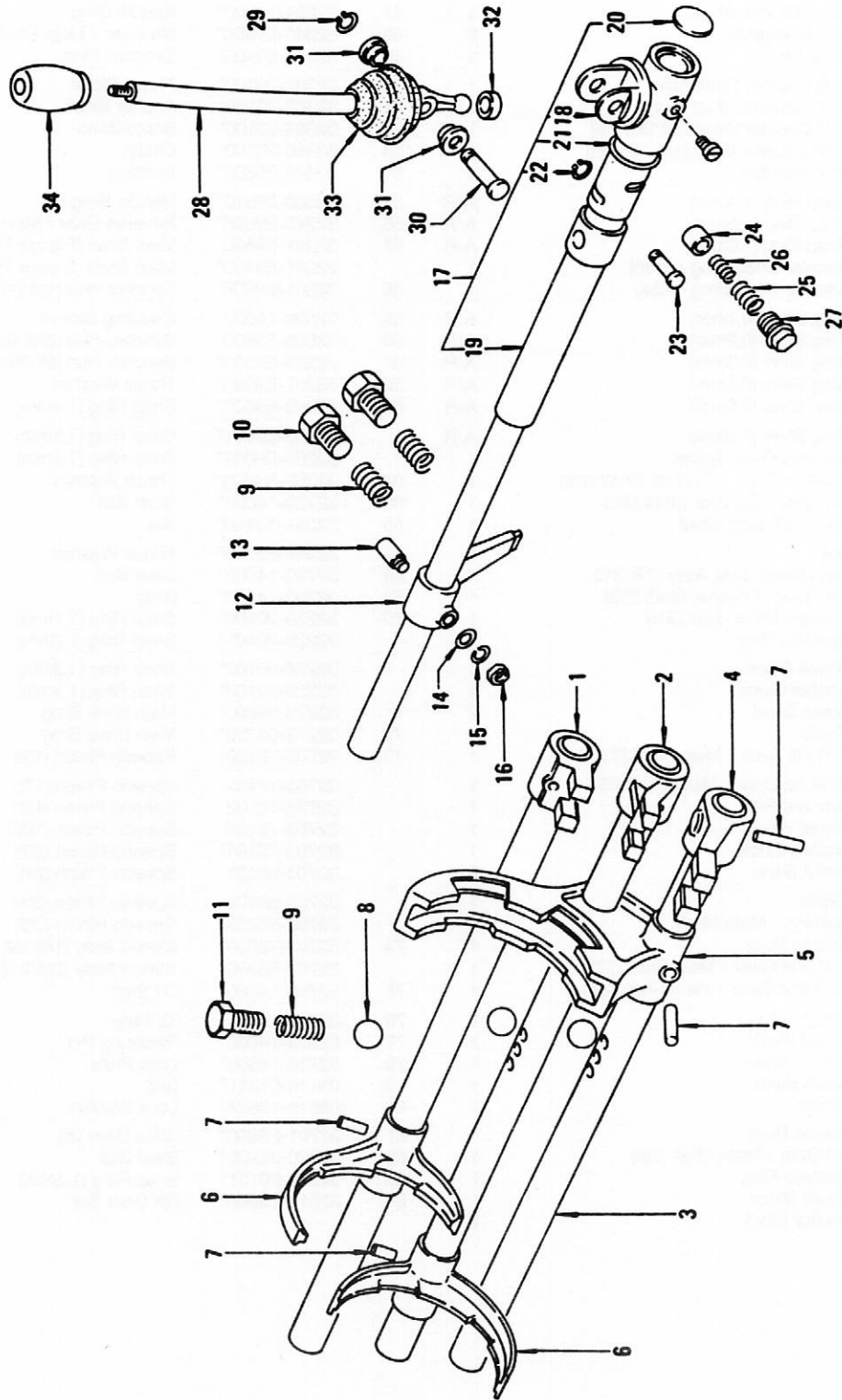
# FS5C71B TRANSMISSION GEARS



**FS5C71B TRANSMISSION GEARS (LATE STYLE O/D 5-SPD)**

ITEM	PART NUMBER	PART NAME	QTY	ITEM	PART NUMBER	PART NAME	QTY
1	32282-E9000*	Reverse Idler Gear (23t)	1	45	32614-14600*	Brake Band	2
2	32272-36910*	Needle Brng	2	46	32616-14600*	Circlip	1
3	32281-E9508*	Reverse Idler Shaft	1	47	32264-14600*	Needle Brng	1
4	32284-E9000*	Thrust Washer	2	48	32340-E9500*	5th Gear / Main Shaft (19t)	1
5	32285-20100*	Snap Ring	2	49	32361-20100*	Synchro Ring	1
6	32210-E9500	C/R Counter Shaft Assy	1	50	32362-20100*	Thrust Block	1
	32210-E9507*	W/R Counter Shaft Assy	1	51	32363-20100*	Anchor Block	1
7	32212-E9500	C/R Counter Gear (16t/20t/28t)	1	52	32364-20100*	Brake Band	1
	32212-E9507*	W/R Counter Gear (14t/19t/28t)	1	53	32366-20100*	Circlip	1
8	32214-E9000*	Woodruff Key	2	54	32349-E9800*	Bushing	1
9	32215-E9000*	Snap Ring (1.4mm)	A/R	55	32350-25510*	Needle Brng	1
	32215-E9001*	Snap Ring (1.5mm)	A/R	56	32245-E9525*	Reverse Gear / Main Shaft (36t)	1
	32215-E9002*	Snap Ring (1.6mm)	A/R	57	32241-E9500	Main Shaft (Flange Type)	1
10	32219-E9000*	Counter Shaft Brng / Front	1		32241-E9400*	Main Shaft (Sleeve Type)	1
11	32203-E9800	Counter Shaft Brng / Rear	1	58	32601-E9500	Synchro Hub (1st/2nd)	1
12	32218-E9000*	Brng Shim (0.1mm)	A/R	59	32606-14600	Coupling Sleeve	1
	32218-E9001*	Brng Shim (0.2mm)	A/R	60	32605-E9500	Synchro Hub (3rd/4th)	1
	32218-E9002*	Brng Shim (0.3mm)	A/R	61	32258-E9500*	Synchro Hub (5th/Rev)	1
	32218-E9003*	Brng Shim (0.4mm)	A/R	62	32207-E9000*	Thrust Washer	1
	32218-E9004*	Brng Shim (0.5mm)	A/R	63	32263-E9000*	Snap Ring (1.4mm)	A/R
	32218-E9005*	Brng Shim (0.6mm)	A/R		32263-E9001*	Snap Ring (1.5mm)	A/R
13	32221-E9500*	Reverse Gear Spacer	1		32263-E9002*	Snap Ring (1.6mm)	A/R
14	32220-E9200*	Reverse Gear / Counter Shaft (15t)	1	64	32352-N4800*	Thrust Washer	1
15	32310-E9500*	5th Gear / Counter Shaft (31t)	1	65	32720-14600*	Steel Ball	1
16	32319-N4800*	Brng / Counter Shaft	1	66	32354-A7400*	Nut	1
17	32236-E9500*	Nut	1	67	32246-E9200*	Thrust Washer	1
18	32200-E9551*	Main Drive Gear Assy (22t/31t)	1	68	32720-14600*	Steel Ball	1
19	32202-E9500	5th Gear / Counter Shaft (22t)	1	69	32203-14360*	Brng	1
20	32217-E9500*	Counter Drive Gear (31t)	1	70	32228-20100*	Snap Ring (1.1mm)	A/R
21	32611-14600	Synchro Ring	1		32228-20101*	Snap Ring (1.2mm)	A/R
22	32612-14603*	Thrust Block	1		32228-20102*	Snap Ring (1.3mm)	A/R
23	32613-14601*	Anchor Block	1		32228-20103*	Snap Ring (1.4mm)	A/R
24	32614-14600*	Brake Band	2	71	32273-36900*	Main Shaft Brng	1
25	32616-14600*	Circlip	1	72	32273-04100*	Main Drive Brng	1
26	32242-E9500	C/R 1st Gear / Main Shaft (33t)	1	73	32703-78100	Speedo Pinion (16t)	1
	32242-E9507	W/R 1st Gear / Main Shaft (33t)	1		32703-78101	Speedo Pinion (17t)	1
27	32611-14600	Synchro Ring	1		32703-78102	Speedo Pinion (18t)	1
28	32617-14610*	Thrust Block	1		32703-78103	Speedo Pinion (19t)	1
29	32613-14601*	Anchor Block	1		32703-78104*	Speedo Pinion (20t)	1
30	32614-14600*	Brake Band	2		32703-86401	Speedo Pinion (21t)	1
31	32616-14600*	Circlip	1		32703-86402	Speedo Pinion (22t)	1
32	32253-14600*	Bushing / Main Shaft	1		32703-86403	Speedo Pinion (23t)	1
33	32264-14600*	Needle Brng	1	74	32707-78000*	Sleeve Assy (16t/19t)	1
34	32252-E9500	C/R 2nd Gear / Main Shaft (27t)	1		32707-66300	Sleeve Assy (20t/23t)	1
	32252-E9507	W/R 2nd Gear / Main Shaft (28t)	1	75	32709-14600*	Oil Seal	1
35	32611-14600	Synchro Ring	1	76	32710-14600*	'O' Ring	1
36	32612-14603*	Thrust Block	1	77	32873-14600*	Retaining Pin	1
37	32613-14601*	Anchor Block	1	78	32718-14600*	Lock Plate	1
38	32614-14600*	Brake Band	1	79	08110-61211*	Bolt	1
39	32616-14600*	Circlip	1	80	08915-1362A*	Lock Washer	1
40	32264-14600*	Needle Brng	1	81	32701-E9800*	Drive Gear (6t)	1
41	32262-E9500	3rd Gear / Main Shaft (26t)	1	82	32720-36900*	Steel Ball	1
42	32611-14600	Synchro Ring	1	83	32228-20101*	Snap Ring (1.2mm)	1
43	32612-14603*	Thrust Block	1	84	32310-E9550*	5th Gear Set	1
44	32613-14601*	Anchor Block	1				

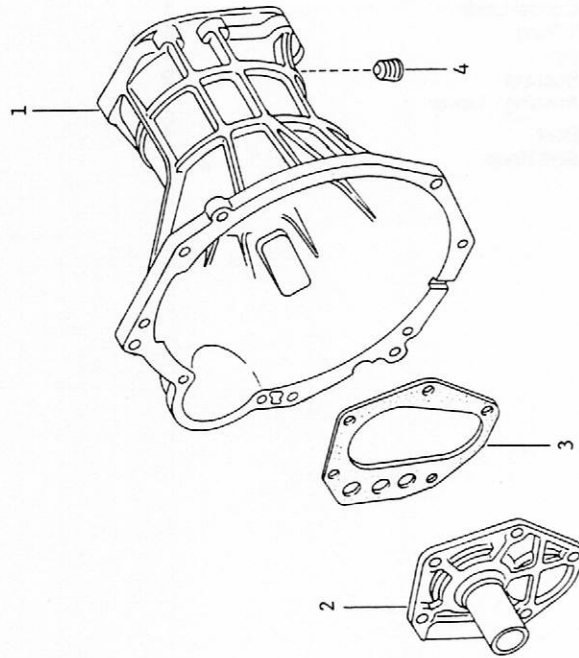
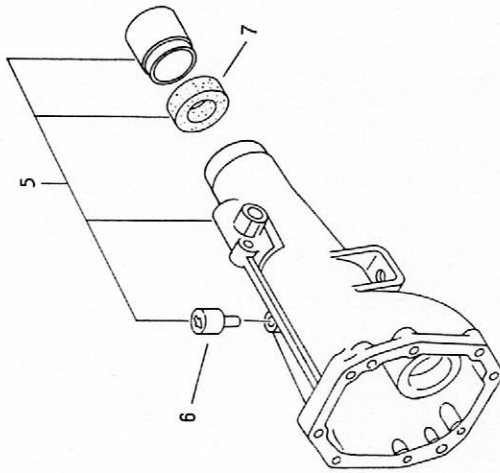
# FS5C71B TRANSMISSION SHIFT MECHANISM



**FS5C71B TRANSMISSION SHIFT MECHANISM (LATE STYLE O/D 5-SPD)**

ITEM	PART NUMBER	PART NAME	QTY
1	32800-E9500	Shift Rod (1st/2nd)	1
2	32808-E9501	Shift Rod (3rd/4th)	1
3	32816-E9502*	Shift Rod (5th/Rev)	1
4	32382-E9500*	Bracket (5th/Rev)	1
5	32819-E9500*	Shift Fork (5th/Rev)	1
6	32805-E9500	Shift Fork (1st/2nd & 3rd/4th)	2
7	32292-1460010*	Retaining Pin	4
	32292-A7610	Opt Retaining Pin	4
8	32829-26760*	Check Ball	7
9	32830-20100*	Check Spring	3
10	32835-78000*	Check Ball Plug	2
11	32834-E9000*	Check Ball Plug	1
12	32896-E9309*	Striking Lever (Flange Type)	1
	32896-E9500*	Striking Lever (Sleeve Type)	1
13	32917-E9301*	Lock Pin	1
14	08915-5361A*	Washer	1
15	08915-1362A*	Lock Washer	1
16	08911-20610*	Nut	1
17	32850-E9550	Striking Guide Assy (Flange Type)	1
	32850-E9851*	Striking Guide Assy (Sleeve Type)	1
18	32844-E9300*	Striking Rod Guide	1
19	32892-E9502*	Striking Rod	1
20	00933-33000*	Plug	1
21	32710-14600*	'O' Ring	1
22	32846-24900*	Snap Ring	1
23	32847-24901*	Stopper Pin	1
24	32851-24900*	Plunger	1
25	32852-24901*	Spring	1
26	32856-24901*	Spring	1
27	32853-E9300*	Plug	1
28	32841-N3101*	Control Lever	1
29	32854-24900*	'E' Ring	1
30	32849-H1010*	Pin	1
31	32855-H1010*	Bushing	2
32	32861-N4200*	Bushing / Lower	1
33	32862-E9300*	Boot	1
34	NPN	Shift Knob	1

# F5C71B TRANSMISSION HOUSING

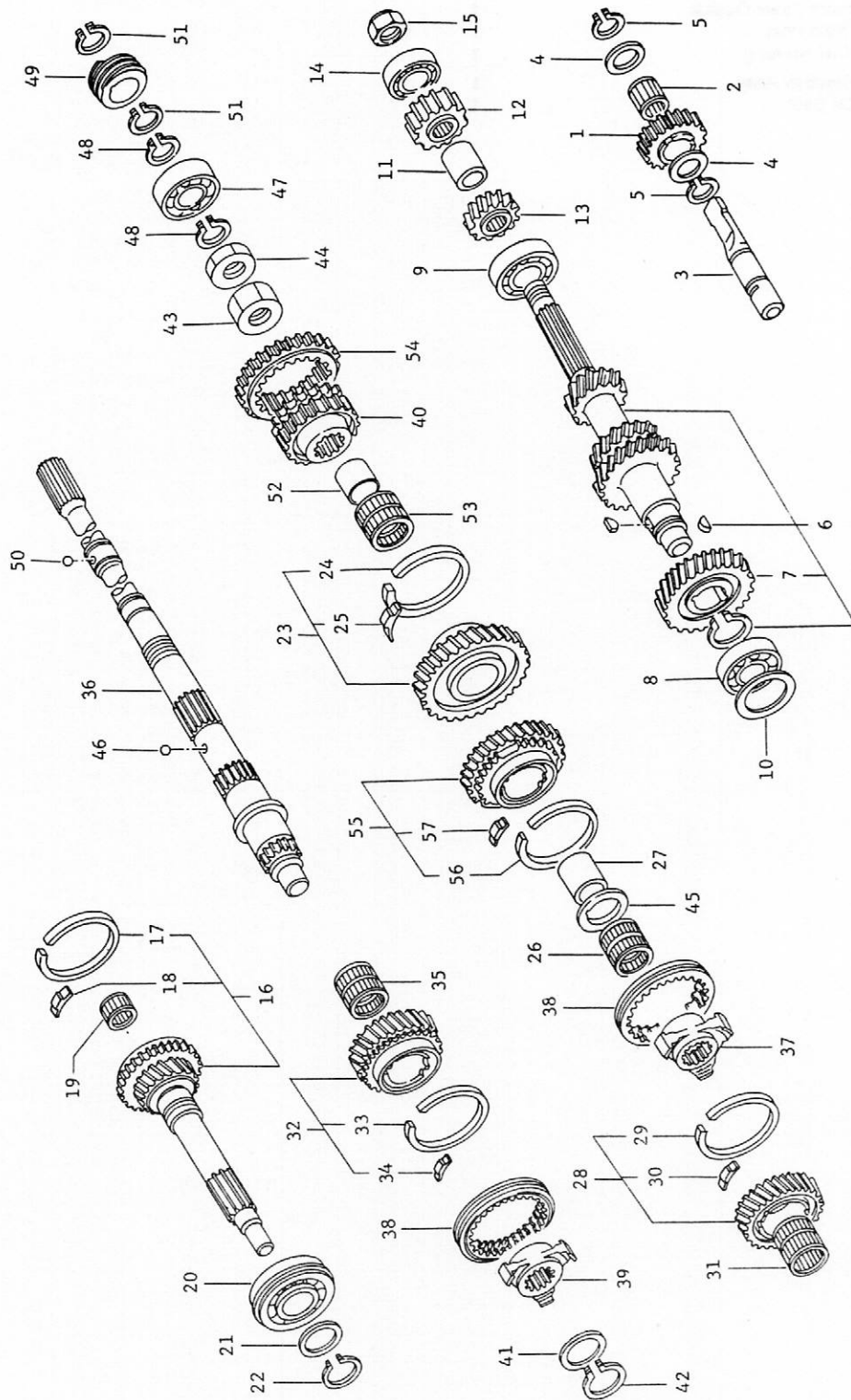




**F5C71B TRANSMISSION HOUSING (DIRECT-DRIVE 5-SPD)**

<b>ITEM</b>	<b>PART NUMBER</b>	<b>PART NAME</b>	<b>QTY</b>
1	32101-E9017*	Transmission Case	1
2	32111-E9012*	Front Cover	1
3	32112-E9001*	Front Cover Gasket	1
4	32103-U8400*	Drain Plug	1
5	32130-E9401*	Trail Housing	1
6	38322-N0100	Breather Assy	1
7	32136-U0100*	Oil Seal	1

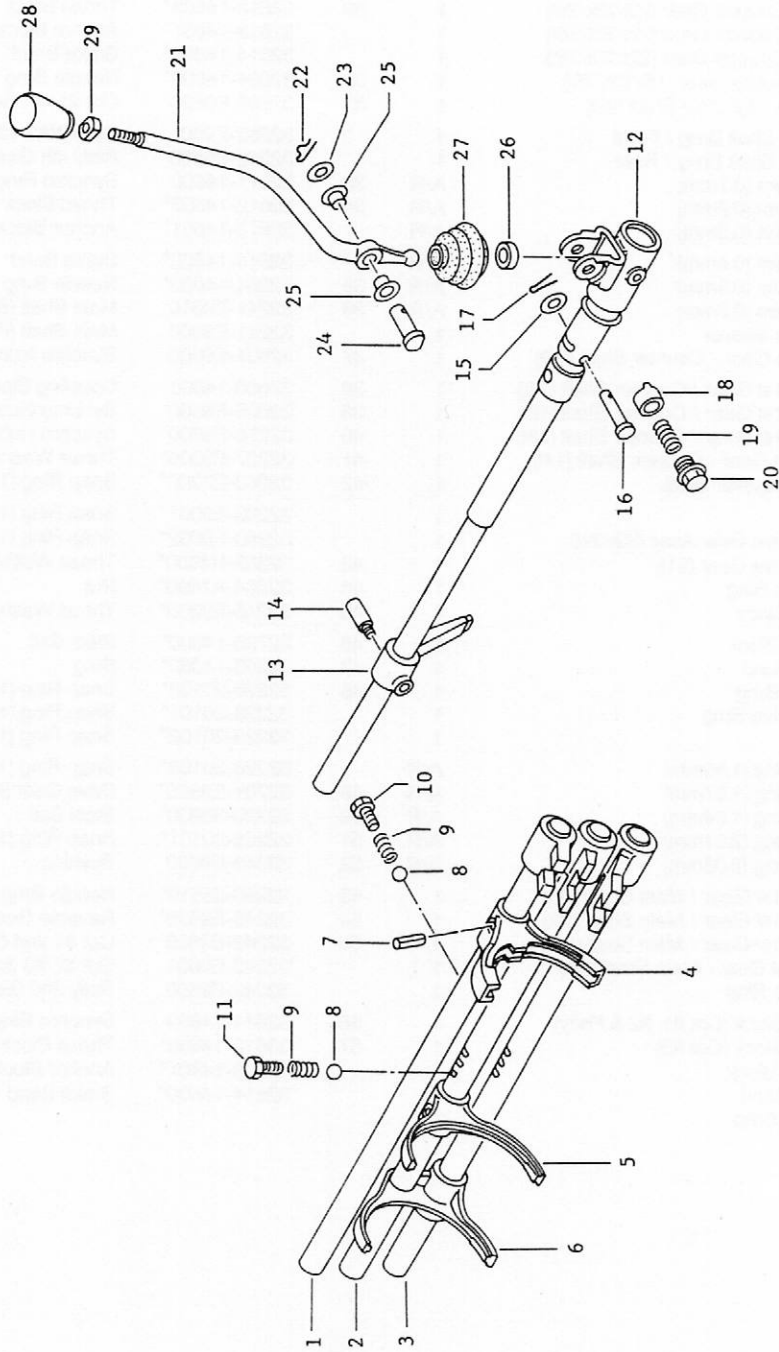
# F5C71B TRANSMISSION GEARS



**F5C71B TRANSMISSION GEARS (DIRECT-DRIVE 5-SPD)**

ITEM	PART NUMBER	PART NAME	QTY	ITEM	PART NUMBER	PART NAME	QTY
1	32282-E9000*	Reverse Idler Gear (23t)	1	27	32253-14601*	Bushing / Main Shaft	1
2	32272-36910*	Needle Brng	1	28	32252-E9601	Opt #1/#3 3rd Gear / Main Shaft (24t)	1
3	32281-E9600	Reverse Idler Shaft	1		32252-E9621	Opt #2 3rd Gear / Main Shaft (23t)	1
4	32284-E9000*	Thrust Washer	2		32252-E9600	Rally 3rd Gear / Main Shaft (25t)	1
5	32285-20100*	Snap Ring	2	29	32611-14600	Synchro Ring	1
6	32212-E9620	Opt #1 Counter Gear (20t/23t/26t)	1	30	32612-14603*	Thrust Block	1
	32212-E9621	Opt #2 Counter Gear (22t/25t/26t)	1		32613-14601*	Anchor Block	1
	32212-E9601	Opt #3 Counter Gear (22t/23t/26t)	1		32614-14600*	Brake Band	1
	32212-E9600	Rally Counter Gear (18t/22t/25t)	1	31	32264-14600*	Needle Brng	1
7	32202-E9500	5th Gear / Counter Shaft (22t)	1	32	32262-E9620	Opt #1 4th Gear / Main Shaft (22t)	1
8	32219-E9800	Counter Shaft Brng / Front	1		32262-E9601	Opt #2/#3 4th Gear / Main Shaft (21t)	1
9	32203-E9800	Counter Shaft Brng / Rear	1		32262-E9600	Rally 4th Gear / Main Shaft (22t)	1
10	32218-E9000*	Brng Shim (0.1mm)	A/R	33	32611-14600	Synchro Ring	1
	32218-E9001*	Brng Shim (0.2mm)	A/R	34	32612-14603*	Thrust Block	1
	32218-E9002*	Brng Shim (0.3mm)	A/R		32613-14601*	Anchor Block	1
	32218-E9003*	Brng Shim (0.4mm)	A/R		32614-14600*	Brake Band	1
	32218-E9004*	Brng Shim (0.5mm)	A/R	35	32264-14600*	Needle Brng	1
	32218-E9005*	Brng Shim (0.6mm)	A/R	36	32241-E9610	Main Shaft (Sleeve Type)	1
11	32221-E9600	1st Gear Spacer	1		32241-E9600	Main Shaft (Flange Type)	1
12	32220-E9600	Reverse Gear / Counter Shaft (29t)	1	37	32601-E9500	Synchro Hub (2nd/3rd)	1
13	32310-E9620	Opt #1 1st Gear / Counter Shaft (16t)	1	38	32606-14600	Coupling Sleeve	1
	32310-E9621	Opt #2 1st Gear / Counter Shaft (18t)	1	39	32605-E9500	Synchro Hub (4th/5th)	1
	32310-E9601	Opt #3 1st Gear / Counter Shaft (18t)	1	40	32258-E9600	Synchro Hub (Rev/1st)	1
	32310-E9600	Rally 1st Gear / Counter Shaft (14t)	1	41	32207-E9000*	Thrust Washer	1
14	32319-N4800*	Brng / Counter Shaft	1	42	32263-E9000*	Snap Ring (1.4mm)	A/R
15	32236-E9500*	Nut	1		32263-E9001*	Snap Ring (1.5mm)	A/R
16	32200-E9551*	Main Drive Gear Assy (22t/31t)	1		32263-E9002*	Snap Ring (1.6mm)	A/R
	32217-E9500*	Main Drive Gear (31t)	1	43	32352-N4800*	Thrust Washer	1
17	32611-14600	Synchro Ring	1	44	32354-A7400*	Nut	1
18	32612-14603*	Thrust Block	1	45	32246-E9200*	Thrust Washer	1
	32613-14601*	Anchor Block	1	46	32720-14600*	Steel Ball	1
	32614-14600*	Brake Band	1	47	32203-14360*	Brng	1
19	32272-36910*	Needle Brng	1	48	32228-20100*	Snap Ring (1.1mm)	A/R
20	32273-N4800*	Main Drive Brng	1		32228-20101*	Snap Ring (1.2mm)	A/R
21	32205-78000*	Spacer	1		32228-20102*	Snap Ring (1.3mm)	A/R
22	32204-78000*	Snap Ring (1.80mm)	A/R		32228-20103*	Snap Ring (1.4mm)	A/R
	32204-78001*	Snap Ring (1.87mm)	A/R	49	32701-E9800*	Drive Gear (6t)	1
	32204-78002*	Snap Ring (1.94mm)	A/R	50	32720-36900*	Steel Ball	1
	32204-78003*	Snap Ring (2.01mm)	A/R	51	32228-20101*	Snap Ring (1.2mm)	1
	32204-78004*	Snap Ring (2.08mm)	A/R	52	32349-E9600	Bushing	1
23	32343-E9620	Opt #1 1st Gear / Main Shaft (32t)	1	53	32350-25510*	Needle Brng	1
	32343-E9621	Opt #2 1st Gear / Main Shaft (30t)	1	54	32245-E9525*	Reverse Gear / Main Shaft (36t)	1
	32343-E9611	Opt #3 1st Gear / Main Shaft (28t)	1	55	32242-E9620	Opt #1 2nd Gear / Main Shaft (28t)	1
	32343-E9610	Rally 1st Gear / Main Shaft (33t)	1		32242-E9601	Opt #2/#3 2nd Gear / Main Shaft (25t)	1
24	32361-20100*	Synchro Ring	1		32242-E9600	Rally 2nd Gear / Main Shaft (29t)	1
25	32362-N9200	Thrust Block (Opt #1, #2 & Rally)	1	56	32611-14600	Synchro Ring	1
	32362-20100*	Thrust Block (Opt #3)	1	57	32612-14603*	Thrust Block	1
	32363-20100*	Anchor Block	1		32613-14601*	Anchor Block	1
	32364-20100*	Brake Band	1		32614-14600*	Brake Band	1
26	32264-14600*	Needle Brng	1				

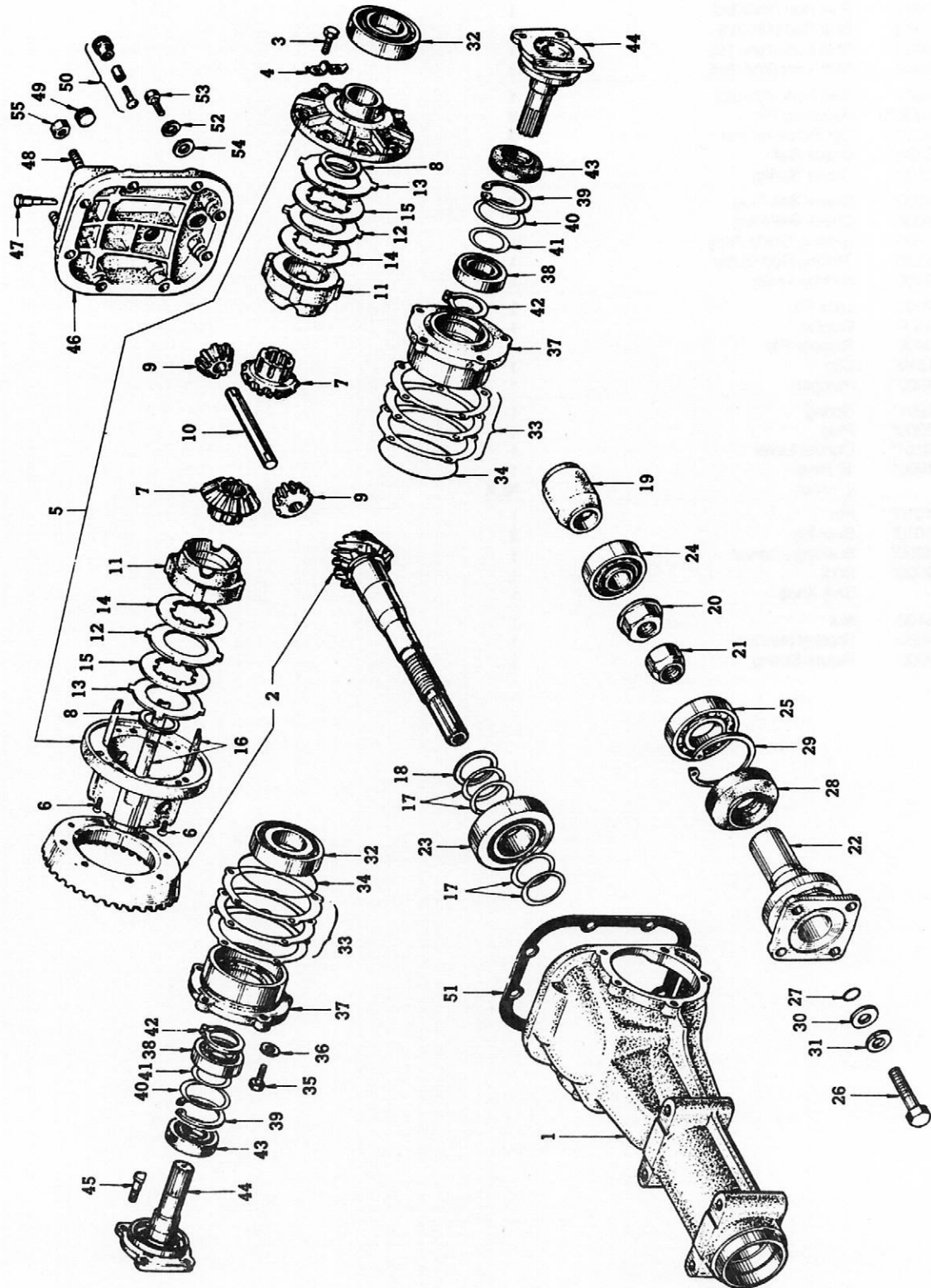
# F5C71B TRANSMISSION SHIFT MECHANISM



**F5C71B TRANSMISSION SHIFT MECHANISM (DIRECT-DRIVE 5-SPD)**

ITEM	PART NUMBER	PART NAME	QTY
1	32815-E9600	Shift Rod (Rev/1st)	1
2	32800-A7610	Shift Rod (2nd/3rd)	1
3	32808-A7610	Shift Rod (4th/5th)	1
4	32819-E9600	Shift Fork (Rev/1st)	1
5	32805-E9500	Shift Fork (2nd/3rd)	1
6	32811-E9601	Shift Fork (4th/5th)	1
7	32292-1460010*	Retaining Pin	3
	32292-A7610	Opt Retaining Pin	3
8	32829-26760*	Check Ball	7
9	32830-20100*	Check Spring	3
10	32835-78000*	Check Ball Plug	2
11	32834-E9000*	Check Ball Plug	1
12	32850-A9960	Striking Guide Assy	1
	32850-A1250	Striking Rod Guide	1
13	32896-B3400	Striking Lever	1
14	32917-E9301*	Lock Pin	1
15	32846-B3400	Washer	1
16	32847-B3400	Stopper Pin	1
17	00921-11510*	Clip	1
18	32851-24900*	Plunger	1
19	32852-24901*	Spring	1
20	32853-E9300*	Plug	1
21	32841-N3101*	Control Lever	1
22	32854-24900*	'E' Ring	1
23	NPN	Washer	NLA
24	32849-H1010*	Pin	1
25	32855-H1010*	Bushing	2
26	32861-N4200*	Bushing / Lower	1
27	32862-E9300*	Boot	1
28	NPN	Shift Knob	1
29	32866-B3400	Nut	1
	32382-E9600	Bracket (4th/5th)	1
	32893-E9600	Return Spring	1

# R190 L/S DIFFERENTIAL ASSY

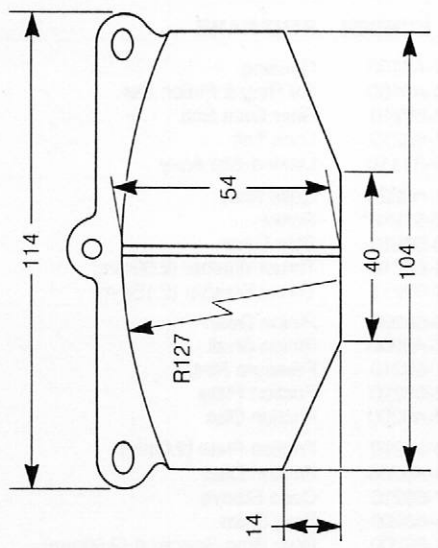
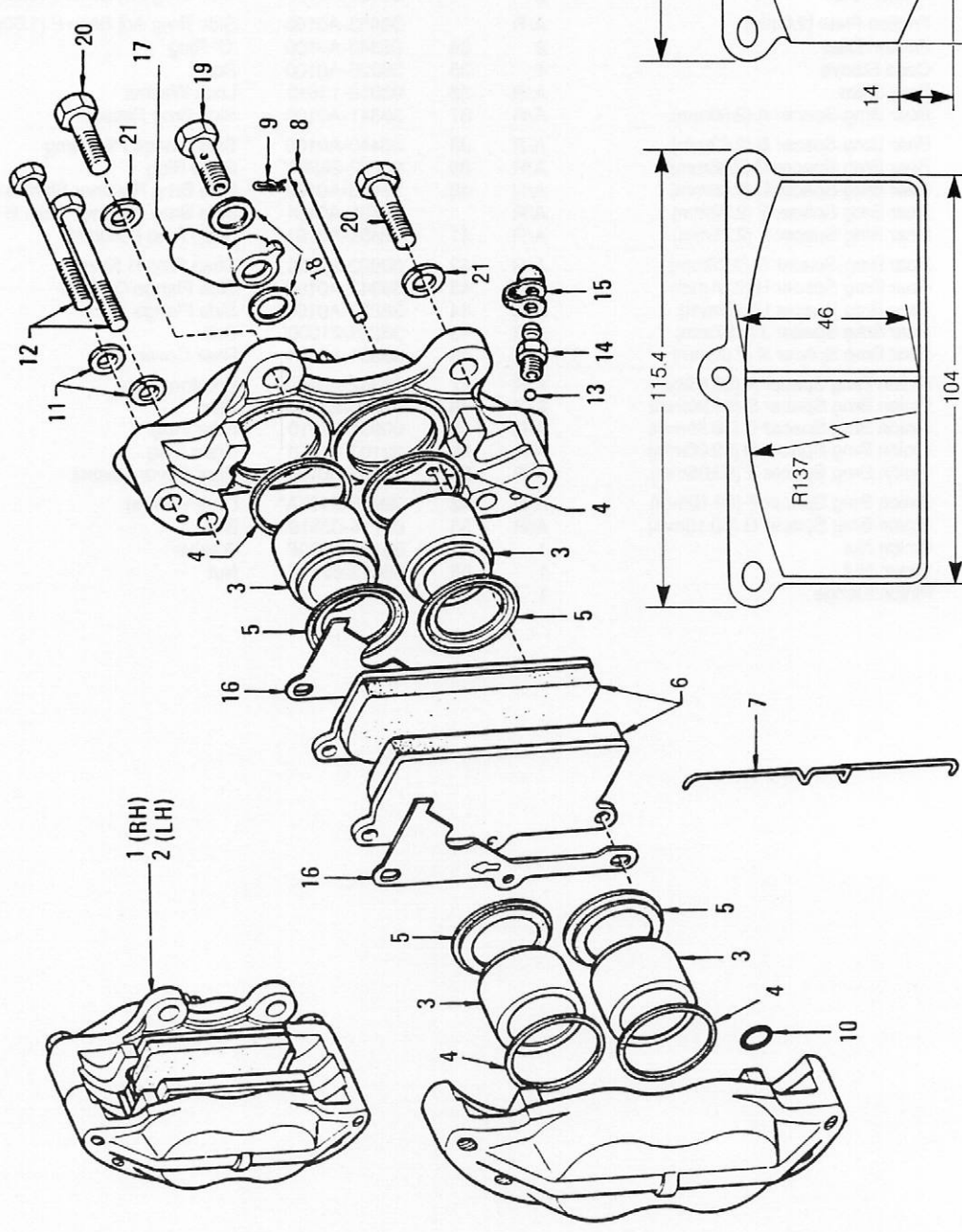


**R190 L/S DIFFERENTIAL ASSY**

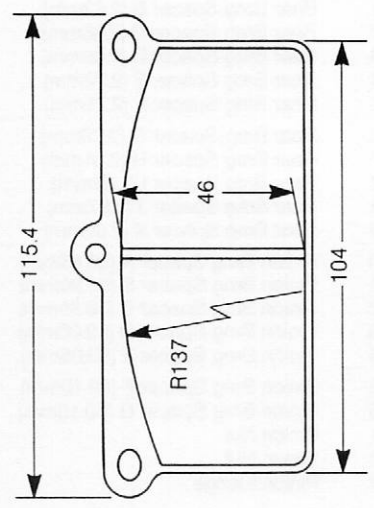
ITEM	PART NUMBER	PART NAME	QTY	ITEM	PART NUMBER	PART NAME	QTY
1	38311-A0100	Housing	1	23	38120-61000	Taper Roller Brng	1
2	38100-A0150	3.9 Ring & Pinion Set	1	24	38140-A0100	Pinion Brng / Front	1
3	38102-68210	Rear Gear Bolt	8	25	38335-A0100	Pilot Brng / Front	1
4	38103-68210	Lock Tab	4	26	38230-A0100	Pinion Flange Bolt	1
	38420-R1110	Limited-Slip Assy	1	27	38223-21000*	'O' Ring	1
5	38421-A0225	Case Assy	1	28	38332-AQ100	Oil Seal	1
6	08320-61212*	Screw	4	29	00922-27500	Snap Ring	1
7	38423-68210	Side Gear	2	30	08915-55010*	Washer	1
8	38424-68210	Thrust Washer (2.00mm)	A/R	31	08915-2402A*	Lock Washer	1
	38424-68211	Thrust Washer (2.15mm)	A/R	32	09022-0012P	Taper Roller Brng	2
9	38425-68200	Pinion Gear	2	33	38453-A0100	Side Brng Adj Shim A (0.05mm)	A/R
10	38427-A0200	Pinion Shaft	1		38453-A0101	Side Brng Adj Shim B (0.07mm)	A/R
11	38431-68210	Pressure Ring	2		38453-A0102	Side Brng Adj Shim C (0.10mm)	A/R
12	38432-68210	Friction Plate	2		38453-A0103	Side Brng Adj Shim D (0.20mm)	A/R
13	38432-A0200	Friction Disc	2		38453-A0104	Side Brng Adj Shim E (0.50mm)	A/R
14	38433-68210	Friction Plate (2.0mm)	A/R		38453-A0105	Side Brng Adj Shim F (1.00mm)	A/R
15	38433-A0200	Friction Disc	2	34	38343-A0100	'O' Ring	2
16	38437-68210	Case Sleeve	4	35	38226-A0100	Bolt	10
17	38125-68200	Brng Shim	A/R	36	08915-13810	Lock Washer	10
18	38153-68200	Rear Brng Spacer A (2.60mm)	A/R	37	38341-A0100	Side Brng Retainer	2
	38153-68201	Rear Brng Spacer B (2.63mm)	A/R	38	38440-A0100	Side Flange Pilot Brng	2
	38153-68202	Rear Brng Spacer C (2.66mm)	A/R	39	00922-26200*	Snap Ring	2
	38153-68203	Rear Brng Spacer D (2.69mm)	A/R	40	38455-A0100	Side Brng Retainer Shim A (0.1mm)	A/R
	38153-68204	Rear Brng Spacer E (2.72mm)	A/R		38455-A0101	Side Brng Retainer Shim B (0.2mm)	A/R
	38153-68205	Rear Brng Spacer F (2.75mm)	A/R	41	38458-A0101	Snap Ring (1.80mm)	2
	38153-68206	Rear Brng Spacer G (2.78mm)	A/R	42	00922-13500	Snap Ring (1.5mm)	2
	38153-68207	Rear Brng Spacer H (2.81mm)	A/R	43	38342-A0100	Side Flange Oil Seal	2
	38153-68208	Rear Brng Spacer I (2.84mm)	A/R	44	38220-A0100	Side Flange	2
	38153-68209	Rear Brng Spacer J (2.87mm)	A/R	45	38228-21000*	Bolt	8
	38153-68210	Rear Brng Spacer K (2.90mm)	A/R	46	38351-A0101	Rear Cover	1
19	38165-A0100	Pinion Brng Spacer A (58.85mm)	A/R	47	38352-A0100	Breather Assy	1
	38165-A0101	Pinion Brng Spacer B (58.90mm)	A/R	48	08229-23010*	Stud	2
	38165-A0102	Pinion Brng Spacer C (58.95mm)	A/R	49	00931-21210	Filler Plug	1
	38165-A0103	Pinion Brng Spacer D (59.00mm)	A/R	50	32103-U8401	Drain Plug	1
	38165-A0104	Pinion Brng Spacer E (59.05mm)	A/R	51	38353-A0100	Rear Cover Gasket	1
	38165-A0105	Pinion Brng Spacer F (59.10mm)	A/R	52	08915-2402A*	Lock Washer	8
	38165-A0106	Pinion Brng Spacer G (59.15mm)	A/R	53	08114-08510*	Bolt	8
20	38216-A0101	Pinion Nut	1	54	03121-1000P	Washer	8
21	38216-A0110	Pinion Nut	1	55	08912-62110	Nut	2
22	38209-A0100	Pinion Flange	1				

# FIA BRAKE CALIPER ASSY

NOTE: KEY NO. 1, 2 ASS'Y-CYLINDER, FRONT BRAKE  
INCLUDES KEY NO. 3 ~ 16



F.I.A. Brake Pad (OE rotor)



F.I.A. Brake Pad (vented rotor)



## FIA BRAKE CALIPER ASSY

ITEM	PART NUMBER	PART NAME	QTY
1	41000-E7201	Caliper Assy/RH (OE Rotor)	1
	41000-A1282	Caliper Assy/RH (Vented Rotor)	1
2	41010-E7201	Caliper Assy/LH (OE Rotor)	1
	41010-A1282	Caliper Assy/LH (Vented Rotor)	1
3	41122-68200	Caliper Piston	8
4	41124-68200	Piston Seal	NLA
5	41127-84000	Dust Seal	8
6	41060-E7201	M59S Brake Pad (OE Rotor)	4
	41060-R1120	M2800 Brake Pad (OE Rotor)	4
	41060-F2025	M33S Brake Pad Set (Vented Rotor)	1
7	41060-A1281	M59S Brake Pad (Vented Rotor)	4
	41060-E4622	M2800 Brake Pad (Vented Rotor)	4
	41060-A1282	DS11 Brake Pad (Vented Rotor)	4
	41080-68200	Retaining Clip (OE Rotor)	4
8	41117-84000	Pin (OE Rotor)	4
	41117-A1280	Pin (Vented Rotor)	4
9	41049-68200	Clip (OE Rotor)	4
	41118-A7610	Clip w/Cable (Vented Rotor)	2
10	41158-68201	Caliper Seal	4
11	08915-2402A*	Lock Washer	8
12	41149-84000	Bolt (Vented Rotor)	8
13	41126-14600*	Steel Ball	2
14	41128-A1280	Bleed Screw	2
15	41129-A2410*	Bleed Screw Cap	2
16	41079-68200	Shim (OE Rotor)	4
17	41130-B0700	Fitting (OE Rotor)	2
	41205-F1800	Fitting (Vented Rotor)	2
18	46237-A4600	Gasket	6
19	41128-G0310	Bolt (OE Rotor)	2
	41128-F1800	Bolt (Vented Rotor)	2
20	40057-21000	Caliper Bolt (M12x1.25x31.5)	4
21	08915-24410*	Lock Washer	4
22	41120-68225	Repair Kit (Includes #4, #5 & #15)	1





BOSCH  
GOODYEAR

Raychem